

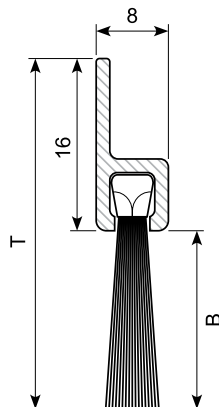
Børstenleisten

Børsterne er som standard nylon, men kan også leveres med PP, hestehår eller rustfri tråd. Børsterne og skinnerne kan købes separat. Børstelisterne leveres i længder á 3 meter.

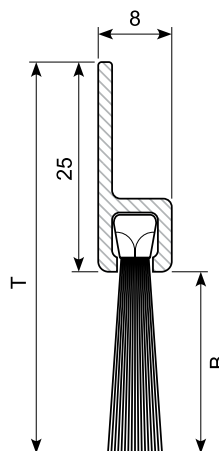
The brushes are usually made of nylon but can be delivered with PP, horse hairs or stainless steel wire. Brushes and rails can be purchased separately. Brush sections are supplied in length of 3 meters.

Art.	Type Tegning Drawing	B (mm) Børstelængde Brush length	T (mm) Totalhøjde Total height
57.400/3E	A	10	26
57.401/3E	A	14	30
57.402/3E	A	24	40
57.408/3E	A	34	50
57.403/3E	B	25	50
57.410/3E	B	35	60
57.405/3E	B	45	70
57.404/3E	C	40	90
57.406/3E	C	60	110
57.411/3E	C	80	130
57.407/3E	C	100	150
57.412/3E	C	120	170
57.413/3E	C	150	200

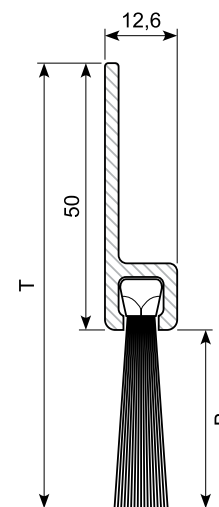
Type A



Type B

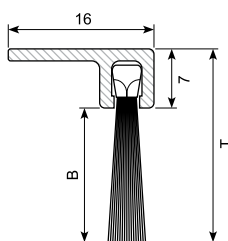


Type C

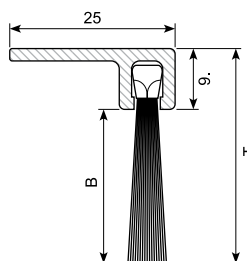


Art.	Type Tegning Drawing	B (mm) Børstelængde Brush length	T (mm) Total længde Total length
57.440/3E	D	10	17
57.441/3E	D	14	21
57.442/3E	D	24	31
57.445/3E	D	34	41
57.443/3E	E	25	34
57.449/3E	E	35	44
57.444/3E	E	45	54
57.450/3E	F	40	53
57.446/3E	F	60	73
57.448/3E	F	80	93
57.447/3E	F	100	113
57.451/3E	F	120	133
57.452/3E	F	150	163

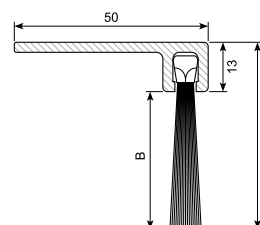
Type D



Type E

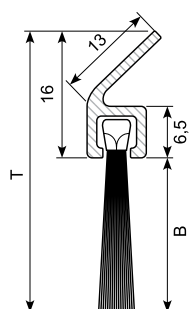


Type F

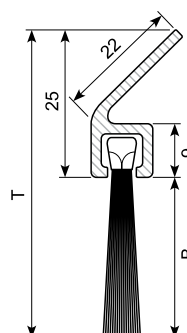


Art.	Type Tegning Drawing	B (mm) Børstelængde Brush length	T (mm) Total længde Total length
57.453/3E	G	10	26
57.454/3E	G	14	30
57.455/3E	G	24	40
57.456/3E	G	34	50
57.423/3E	H	25	50
57.424/3E	H	35	60
57.425/3E	H	45	70
57.426/3E	I	40	87
57.427/3E	I	60	107
57.428/3E	I	80	127
57.429/3E	I	100	147
57.430/3E	I	120	167
57.431/3E	I	150	197

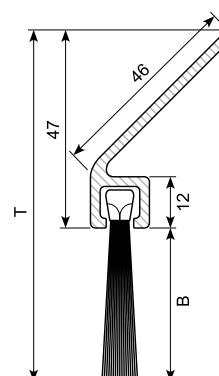
Type G



Type H

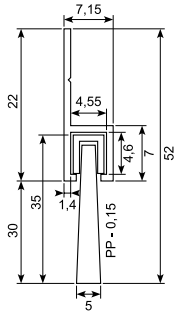


Type I



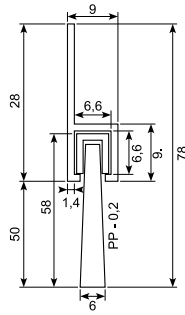
Bürstenleisten

57.403/2.5J



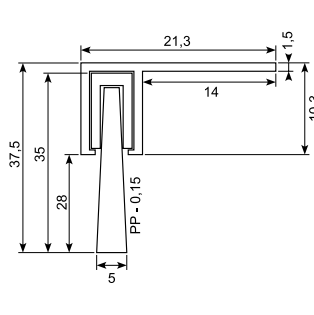
Material: Aluminium with polypropylene brush
Length: 2,5 m

57.405/2J



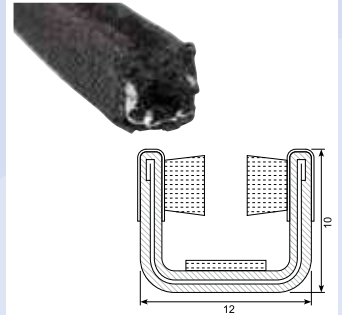
Material: Aluminium with polypropylene brush
Length: 2 m

57.443/2JP



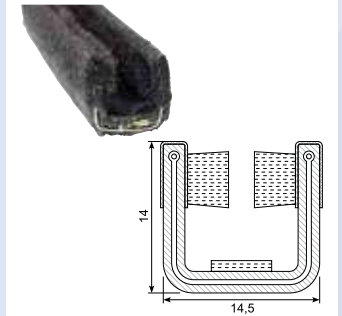
Material: Plastic with polypropylene brush
Length: 2 m

33.621



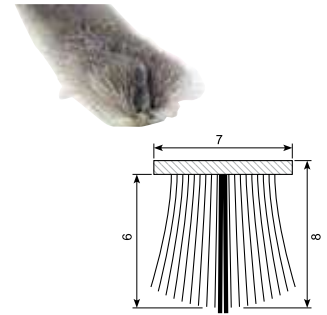
Rubber / fabric / brush
4 - 5 mm glass
Steel

33.623



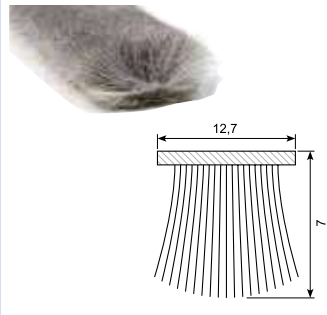
Rubber / fabric / brush
4 - 6 mm glass
Steel

33.611



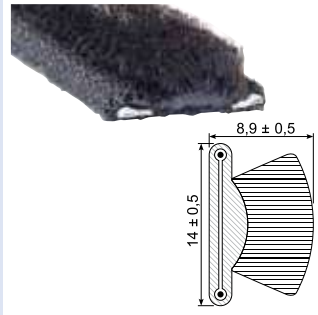
Self-adhesive list with brushes and waterproof center film

33.615

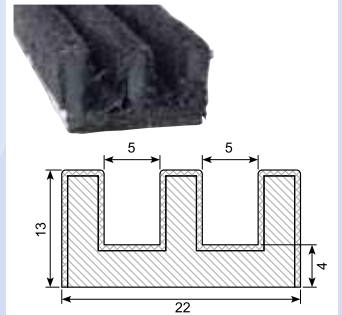


Self-adhesive list with brushes.

33.613

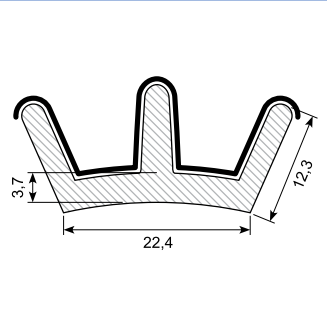


33.670



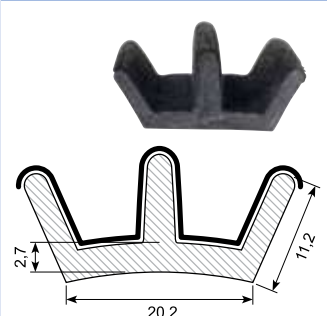
Flocked channel molding

33.671 *



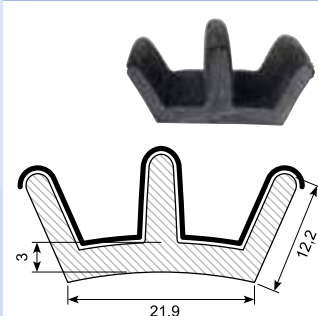
Material: EPDM
Density: 1,28
Hardness: SH 70
Min. order: 2.000 m
Flock: 3,3 dtex

33.672 *



Material: EPDM
Density: 1,28
Hardness: SH 70
Min. order: 2.000 m
Flock: 3,3 dtex

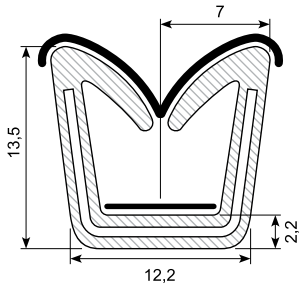
33.673 *



Material: EPDM
Density: 1,28
Hardness: SH 70
Min. order: 2.000 m
Flock: 3,3 dtex

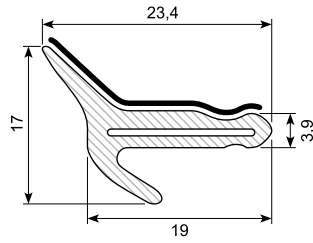
Bürstenleisten

33.674 *



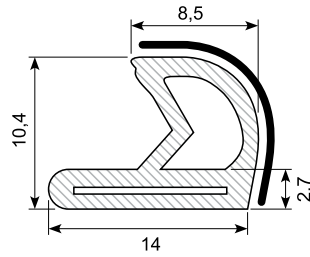
Material: EPDM
Density: 1,28
Hardness: SH 70
Min. order: 3.000 m
Flock: 3,3 dtex

33.675 *



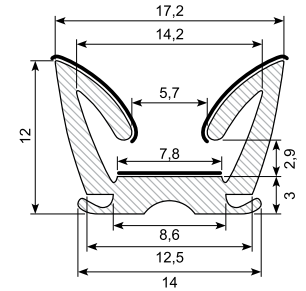
Material: EPDM
Density: 1,28
Hardness: SH 70
Min. order: 3.000 m
Flock: 3,3 dtex

33.676 *



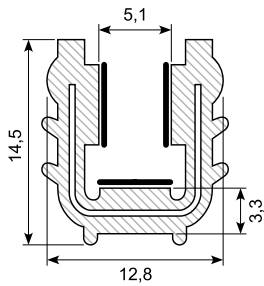
Material: EPDM
Density: 1,28
Hardness: SH 70
Min. order: 3.000 m
Flock: 3,3 dtex

30.13066 *



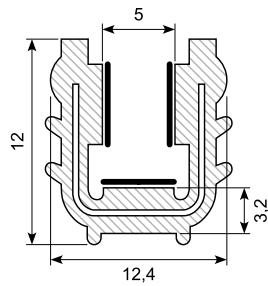
Material: EPDM
Density: 1,28
Hardness: SH 70
Min. order: 3.000 m
Flock: 3,3 dtex
Glass width: 5 mm

33.624 *



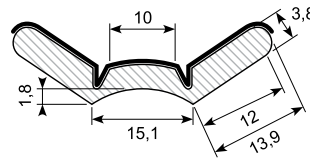
Material: EPDM
Density: 1,28
Hardness: SH 70
Min. order: 3.000 m
Flock: 3,3 dtex

33.625 *



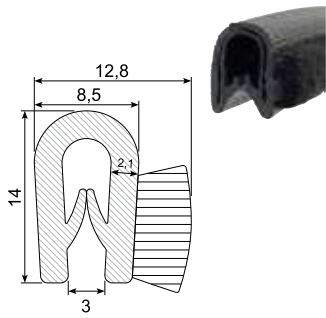
Material: EPDM
Density: 1,28
Hardness: SH 70
Min. order: 3.000 m
Flock: 3,3 dtex

30.14803 *



Material: EPDM
Density: 1,28
Hardness: SH 70
Min. order: 3.000 m
Flock: 3,3 dtex

33.416



Edge trim: PVC with brush
Grip range: 1 - 2,5 mm
Hardness: SH 78
Insert: 25 x 0,48 mm steel
New brush