

Kantenschutzprofile in POM

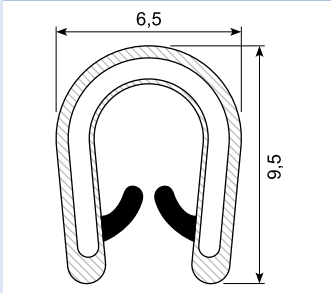
POM-profiler

- En meget mere fleksibel opbygning med dets hukommelseeffekt
- POM-profiler vejer meget mindre end profiler med metal indlæg
- POM-profiler kan ikke ruste eller oxidere
- Fremstillingen af POM-profiler er meget nemmere end profiler med metal indlæg
- Større sikkerhed ved montering. Man undgår rifter fra skarpe metalstykker
- POM-indlæg er ikke ledende som metal og kan derfor anvendes til beskyttelse eller overflade materiale

POM-profiles

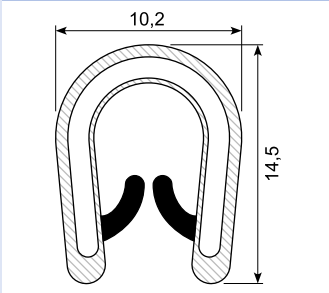
- A much more flexible structure with its memory effect
- POM-supported profiles is much lighter than metal-based profiles
- Over time, no metallic corrosion and oxidize
- Processing of manufacturing for POM-backed profiles is much easier than metal-backed profiles
- During installation does not damage human health such as sinking or cutting
- POM is not conductive support material, such as metal supports therefore wherever used in protection and coating material

33.409POMX



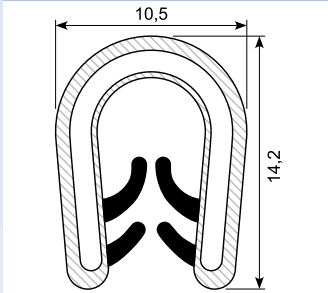
Edge trim: PVC + bi
Grip range: 0,8 - 2 mm
Hardness: SH 75 / 65
Insert: **POM plastic**
No rust. Easy cutting.

33.308POMX



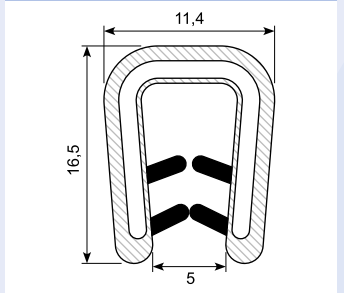
Edge trim: PVC + bi
Grip range: 1 - 4 mm
Hardness: SH 75 / 65
Insert: **POM plastic**
No rust. Easy cutting.

33.200POMX**



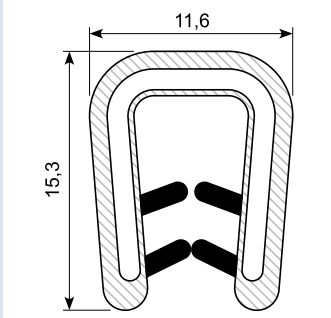
Edge trim: PVC + bi
Grip range: 1,5 - 4 mm
Hardness: SH 75 / 65
Insert: **POM plastic**
No rust. Easy cutting.
33.308POMXG: Grey

33.201POM (Udgår)



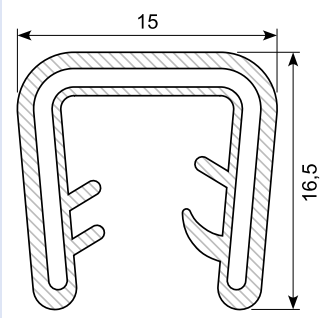
Edge trim: PVC + bi
Grip range: 2 - 4 mm
Hardness: SH 75 / 65
Insert: **POM plastic**
No rust. Easy cutting.

33.201POMX



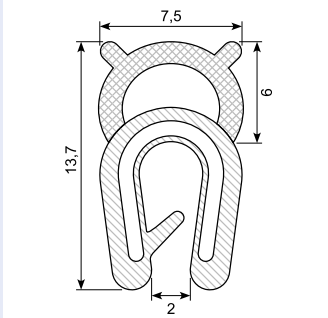
Edge trim: PVC + bi
Grip range: 2,5 - 5 mm
Hardness: SH 75 / 65
Insert: **POM plastic**
No rust. Easy cutting.

33.203POMX



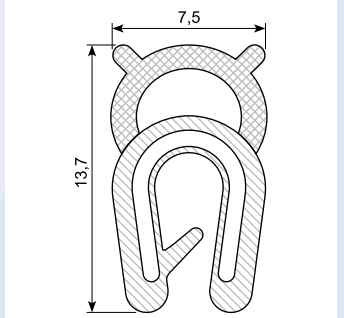
Edge trim: PVC + bi
Grip range: 5 - 8 mm
Hardness: SH 75 / 65
Insert: **POM plastic**
No rust. Easy cutting.

33.210POM (Udgår)



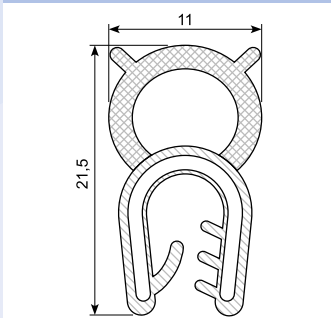
Edge trim: TPE co-ex
Grip range: 1 - 2 mm
Hardness: SH 75 / density 0,65
Insert: **POM plastic**
No rust. Easy cutting.

33.210POMX



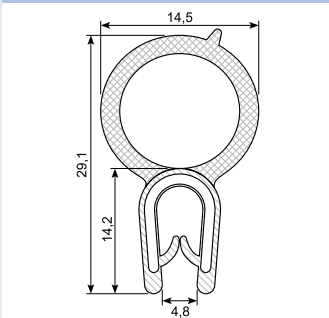
Edge trim: TPE co-ex
Grip range: 1 - 2 mm
Hardness: SH 75 / density 0,65
Insert: **POM plastic**
No rust. Easy cutting.

33.211POMX



Edge trim: TPE co-ex
Grip range: 1,5 - 4 mm
Hardness: SH 75 / density 0,65
Insert: **POM plastic**
No rust easy cutting

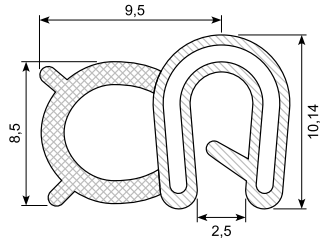
33.212POM (Udgår)



Edge trim: TPE co-ex
Grip range: 2 - 4 mm
Hardness: SH 75 / density 0,65
Insert: **POM plastic**
No rust easy cutting

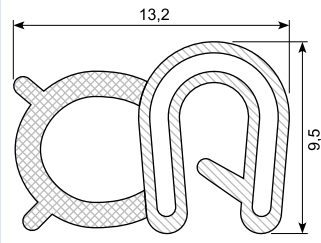
Kantenschutzprofile in POM

33.213POM (Udgår)



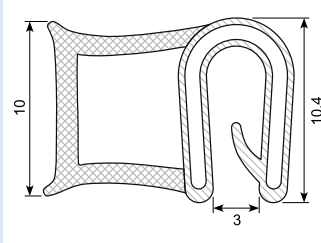
Edge trim: TPE co-ex
Grip range: 1 - 2 mm
Hardness: SH 75 / density 0,65
Insert: **POM plastic**
No rust easy cutting

33.213POMX



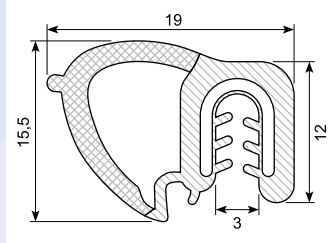
Edge trim: TPE co-ex
Grip range: 1 - 2 mm
Hardness: SH 75 / density 0,65
Insert: **POM plastic**
No rust easy cutting

33.214POM (Udgår)



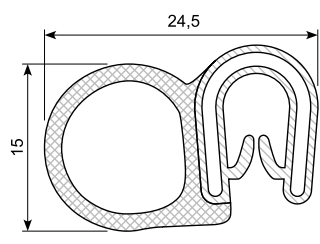
Edge trim: TPE co-ex
Grip range: 1 - 2 mm
Hardness: SH 75 / density 0,65
Insert: **POM plastic**
No rust easy cutting

33.215POM (Udgår)



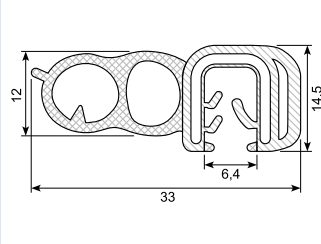
Edge trim: TPE co-ex
Grip range: 1 - 2 mm
Hardness: SH 75 / density 0,65
Insert: **POM plastic**
No rust easy cutting

33.216POMX



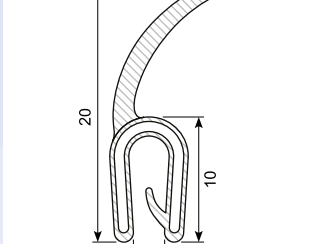
Edge trim: TPE co-ex
Grip range: 1,5 - 4 mm
Hardness: SH 75 / density 0,65
Insert: **POM plastic**
No rust easy cutting

33.218POM (Udgår)



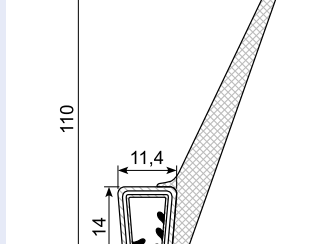
Edge trim: TPE co-ex
Grip range: 3 - 5 mm
Hardness: SH 75 / density 0,65
Insert: **POM plastic**
No rust easy cutting

33.220POM (Udgår)



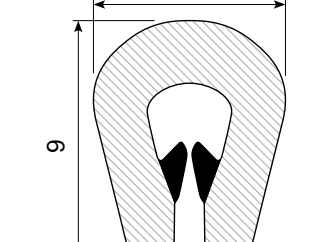
Edge trim: TPE
Grip range: 1 - 2 mm
Hardness: SH 75 / density 0,65
Insert: **POM plastic**
No rust easy cutting

33.460-6XLPOM



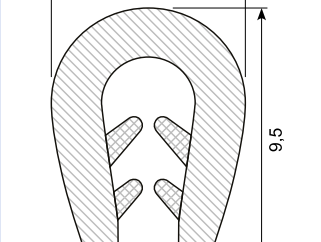
Edge trim: PVC bi/sponge rubber
Grip range: 2,5 - 5 mm
Hardness: SH 75/57 density 0,6
Insert: **POM plastic**
No rust. Eazy cutting.

33.424 * **



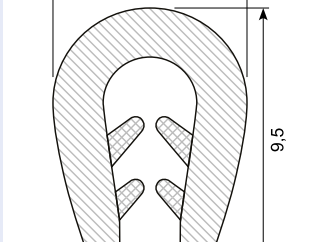
Edge trim: TPE + bi
Grip range: 0,8 - 2,5 mm
Hardness: SH 87 / 65 - 70
Insert: **None**
Alternative **33.424TPE**

33.424TPE (Udgår)



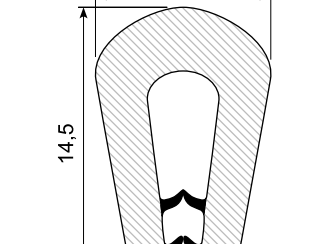
Edge trim: TPE + bi
Grip range: 1 - 2 mm
Hardness: SH 90 / 50
Insert: **None**

33.424TPEX



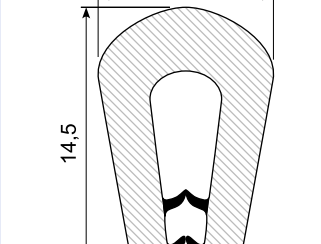
Edge trim: TPE + bi
Grip range: 1 - 2 mm
Hardness: SH 90 / 50
Insert: **None**

33.417TPE (Udgår)



Edge trim: TPE + bi
Grip range: 1 - 4 mm
Hardness: SH 90 / 50
Insert: **None**

33.417TPEX



Edge trim: TPE + bi
Grip range: 1 - 4 mm
Hardness: SH 90 / 50
Insert: **None**