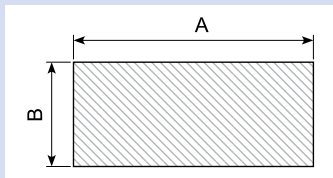


Spezialprofile



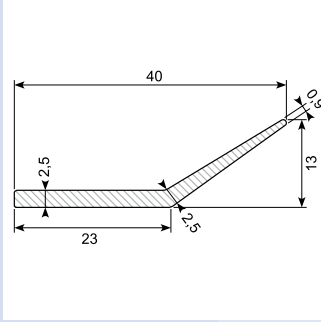
Material: EPDM

Flere størrelser kan skaffes. Find den komplette liste af firkant/retangulærprofiler på hjemmesiden.
Other sizes can be ordered. Find complete list on our homepage.

| Art. | A (mm) | B (mm) | Hardness | Min. order (m) | Adhesive |
|--------------|--------|--------|----------|----------------|----------|
| 30.1201KE * | 12 | 1 | SH 65 | 2.000 | X |
| 30.6502.5E * | 65 | 2,5 | SH 65 | 500 | |
| 30.3003E | 30 | 3 | SH 65 | | |
| 30.5003E | 50 | 3 | SH 65 | | |
| 30.5004E * | 50 | 4 | SH 60 | 600 | |
| 30.2005E * | 20 | 5 | SH 65 | 3.000 | |
| 30.2505E * | 25 | 5 | SH 65 | 3.000 | |
| 30.3305E * | 33 | 5 | SH 65 | 3.000 | |
| 30.5005E * | 50 | 5 | SH 65 | 2.000 | |
| 30.6705E * | 67 | 5 | SH 65 | 2.000 | |
| 30.7505E * | 75 | 5 | SH 65 | 1.500 | |
| 30.10005E * | 100 | 5 | SH 65 | 1.500 | |
| 30.15005E * | 150 | 5 | SH 65 | 1.000 | |
| 30.15005KE | 150 | 5 | SH 65 | | X |
| 30.3006E * | 30 | 6 | SH 65 | 3.000 | |
| 30.5808E * | 58 | 8 | SH 65 | 1.500 | |
| 30.2310E * | 23 | 10 | SH 60 | 500 | |
| 30.3310E * | 33 | 10 | SH 65 | 2.000 | |
| 30.5010E * | 50 | 10 | SH 65 | 1.500 | |
| 30.6710E * | 67 | 10 | SH 65 | 1.000 | |
| 30.15005E * | 100 | 10 | SH 65 | 1.000 | |

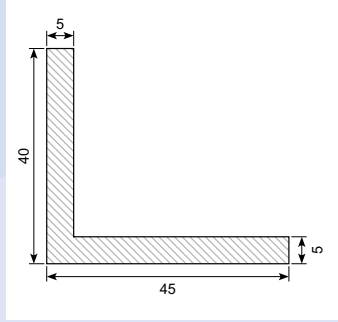
Other sizes can be obtained on request.

30.262S



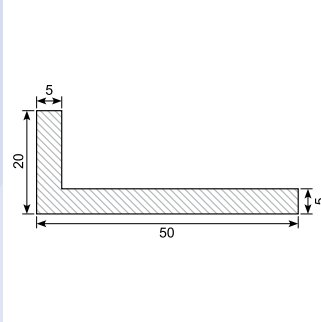
Material: EPDM black
Hardness: SH 65 - 75

30.WI660



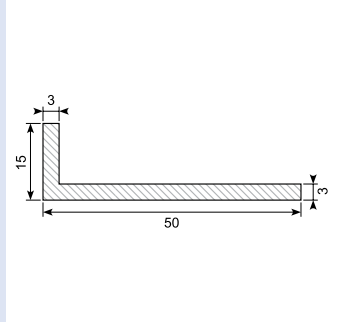
L-profil
Internal: 35 x 40 x 5 mm
External: 40 x 45 x 5 mm

30.WI747



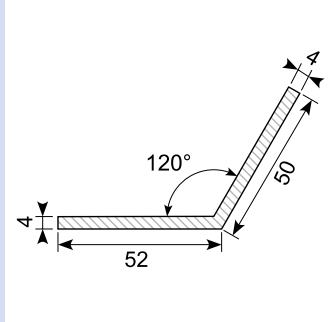
Material: EPDM
Hardness: SH 60

30.9691-2 *



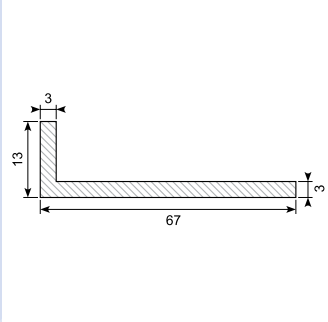
Material: EPDM white
Min. order: 504 m

30.7367



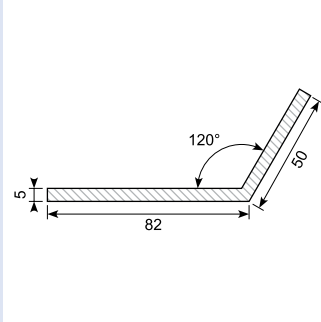
Material: CR black
Hardness: SH 65
Conditional oil resistant

30.9691-5 *



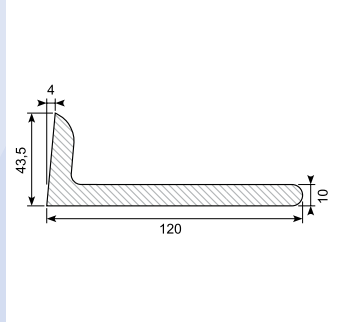
Material: EPDM white
Hardness: SH 65
Min. order: 504 m

30.7696



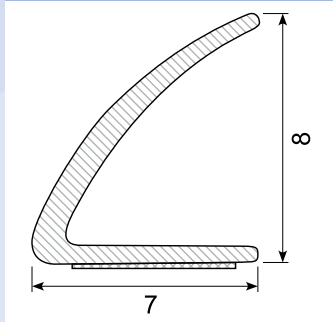
Material: CR black
Hardness: SH 65
Conditional oil resistant

30.12759



Material: EPDM black
Hardness: SH 60A

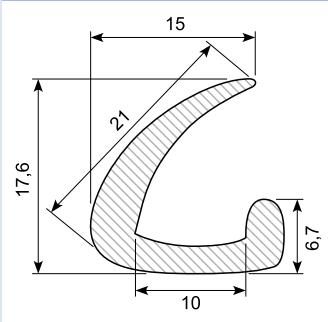
30.OT1024 / 30.OT1024B



Material: Silicone with adhesive
Hardness: SH 60
30.OT1024 white
30.OT1024B black
30.OT1024KPC transparent

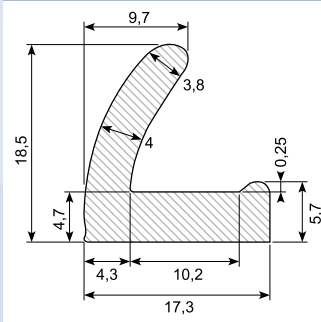
* Skaffevare / Special order item
00129-5-k201902 - BIBUS PROFILES 5

30.216S



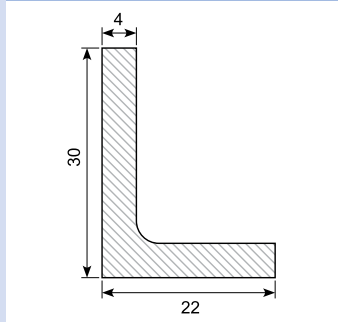
Material: EPDM black
Hardness: SH 65

30.218S



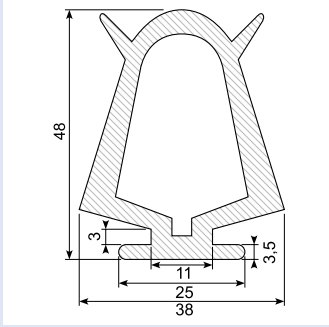
Material: EPDM black
Hardness: SH 75 - 81

30.220L



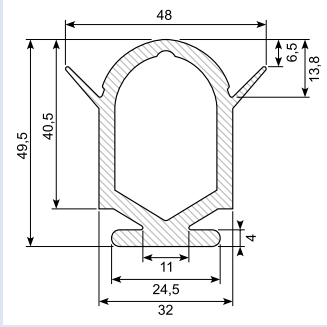
Material: CR black
Hardness: SH 65
Length: 6,5 m
Conditional oil resistant

30.331



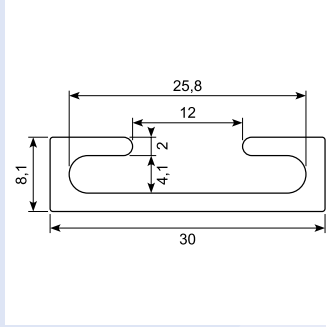
Material: EPDM black
Hardness: SH 70

30.9996-10



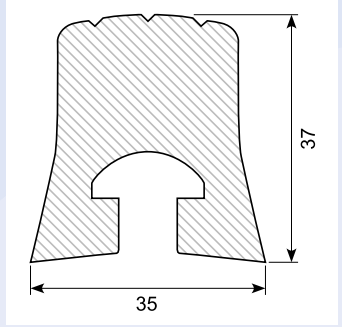
Material: EPDM
Hardness: SH 70

41.675A - 41.674A



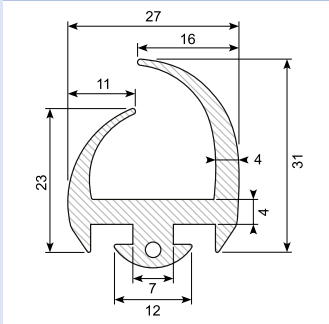
Material: Aluminium
41.675A: 5,2 m, untreated
41.674A: 5 m, anodized

39.1208P



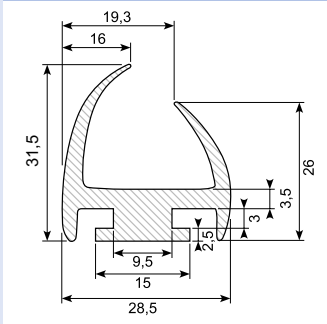
Fender profile with channel
Material: PE
Length: 3 m

30.12957-1



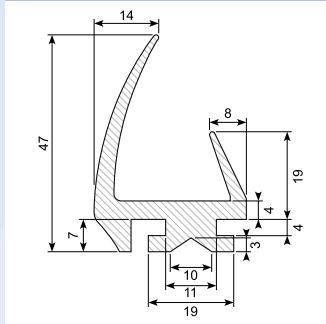
Material: EPDM
Hardness: SH 65
Length: 2,5 m

30.7933 **



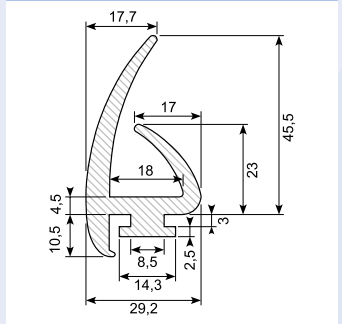
H-profile for aluminium rail
Material: EPDM
Hardness: SH 70

30.12957-2



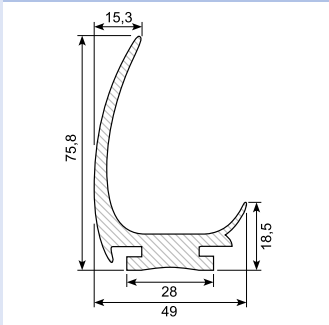
Material: EPDM
Hardness: SH 65
Length: 4,3 m

30.7932



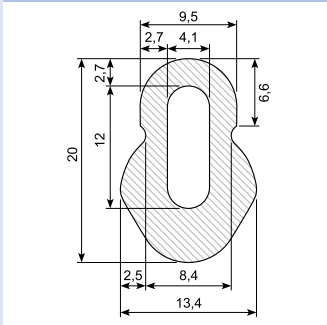
Rubber profile for alu. track
Material: EPDM
Hardness: SH 70

30.7935 *



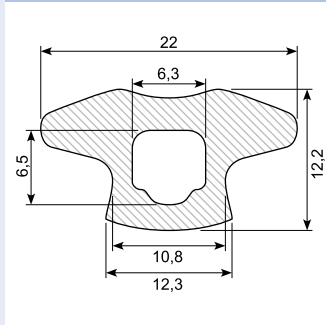
Material: EPDM black
Hardness: SH 65
Length: 2,8 m
Min. order: 22,4 m

30.7853X *



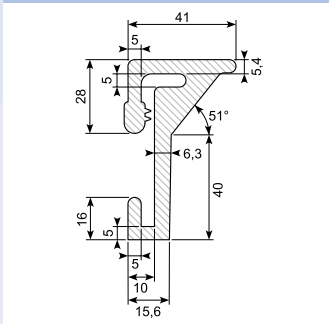
Material: EPDM black
Min. order: 800 m

30.7652



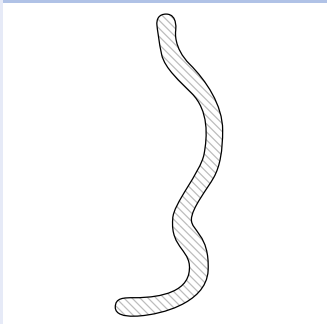
Rubber profile
Material: EPDM
Hardness: SH 65

30.333X



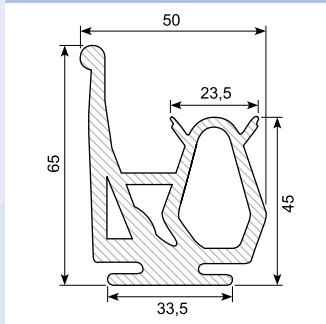
L-profile
Material: EPDM
Hardware: SH 70
Roll of 50 m

41.333S



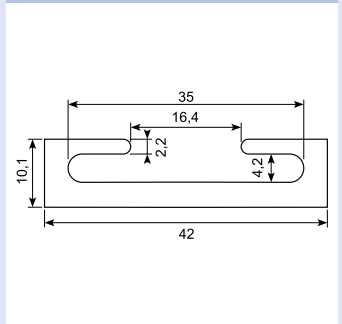
Steel profile for mounting of rubber profile 30.333
Length: 2,6 m

30.8469 *



Rubber profile with drip cap
For loading tail board
Material: EPDM
Hardness: SH 67
Length: 8 m
Min. order: 80 m

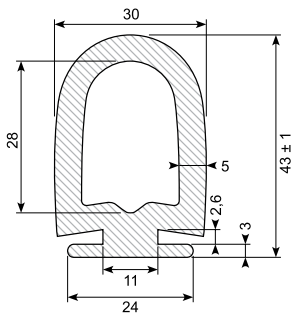
41.678



Alu c-profil 42 x 10 mm
Length 5,2 m
Fits to 30.8469

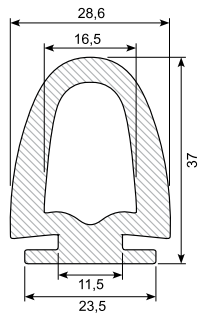
Spezialprofile

30.325X



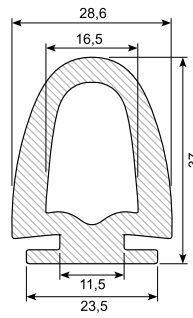
Material: EPDM black
Hardness: SH 65
Length: 5 m

30.324S



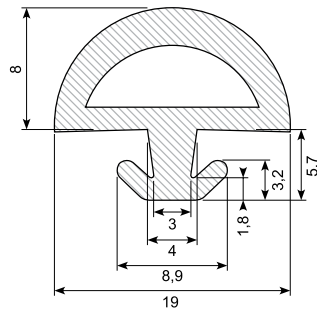
Material: EPDM black
Hardness: SH 65
Length: 5 m

30.324SB



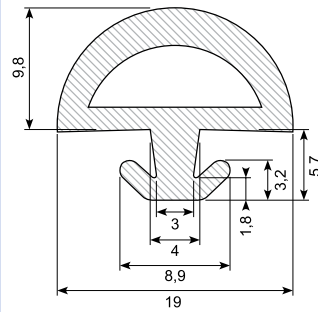
Material: EPDM black
Hardness: SH 45 (soft)
Length: 5 m

30.7649-8 *



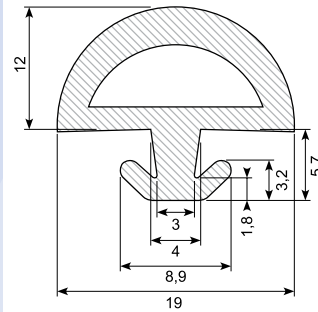
D-weatherstrip
Material: EPDM black
Hardness: SH 60
Min. order: 1.000 m

30.7649



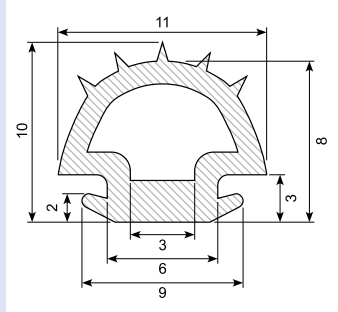
D-weatherstrip
Material: EPDM black
Hardness: SH 60

30.7649-12 *



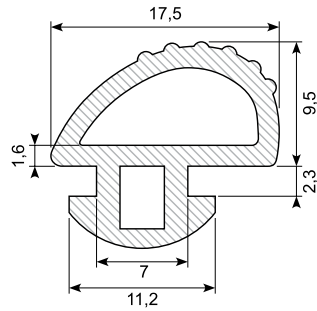
D-weatherstrip
Material: EPDM black
Hardness: SH 60
Min. order: 1.000 m

30.12957-3



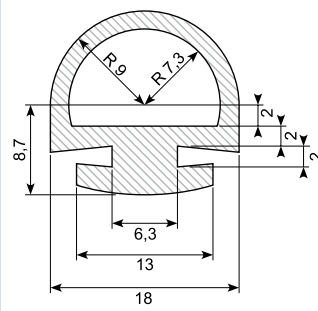
Material: EPDM
Hardness: SH 60

30.14098-2



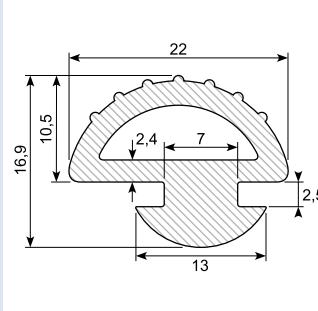
Material: EPDM
Hardness: SH 60A

30.9691-3



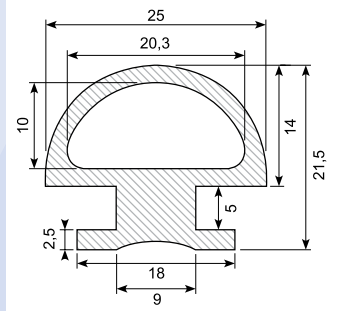
Material: EPDM black
Hardness: SH 65

30.7650



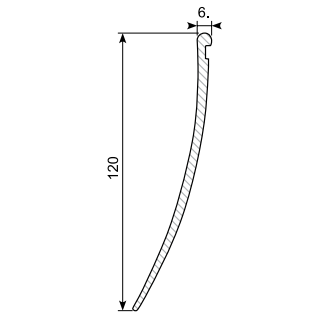
D-weatherstrip
Material: EPDM
Hardness: SH 70

30.5881



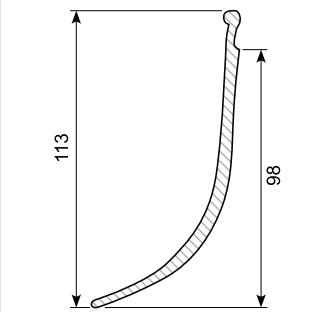
Material: CR black
Hardness: SH 65
Conditional oil resistant

30.2151 *



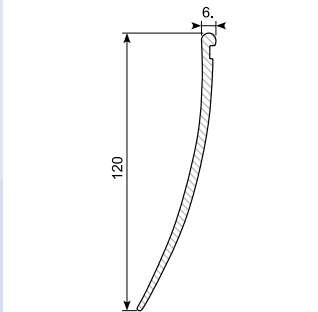
Skirt profile
Hardness: PVC white
Roll of 14 m
Min. order: 560 m

30.6648



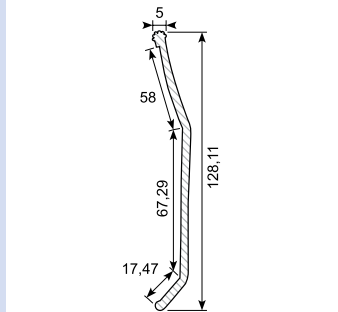
Skirt profile
Hardness: SH 75
30.6648: EPDM black
30.6648G: TPE grey
30.6648S: TPE black

30.2151S *



Material: PVC black
Hardness: SH 75 - 80
Min. order: 280 m

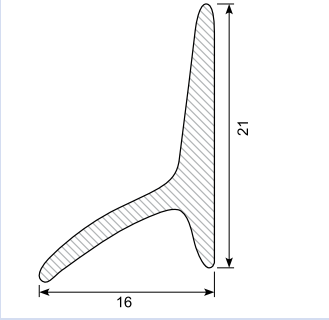
30.2566



Skirt profile
Material: PVC black
Hardness: SH 80
Height: 125 mm
Length: 1 m
Roll of 64 m

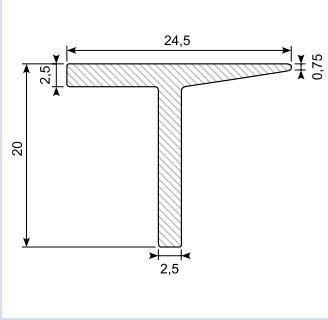
Spezialprofile

30.257S



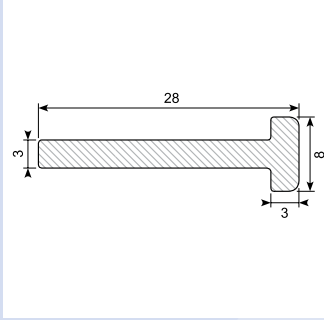
Material: EPDM black
Hardness: SH 65

30.258 *



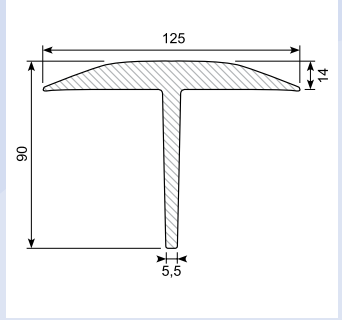
Material: EPDM black
Min. order: 1.000 m

30.5560 *



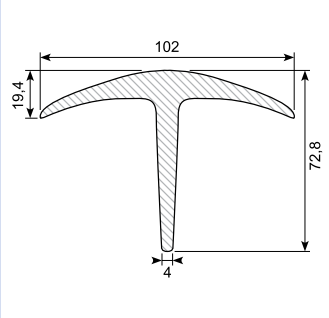
Material: EPDM black
Hardness: SH 65
Min. order: 450 m

30.7780/4



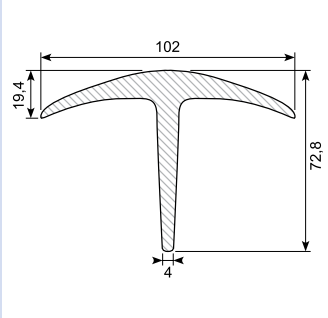
Material: EPDM black
Hardness: SH 65
Length: 4 m

30.7300 - 30.7300/4



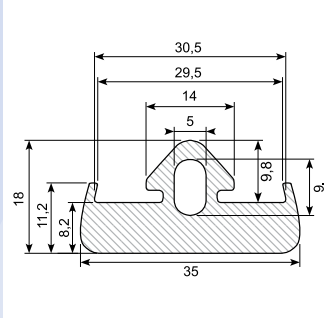
Material: EPDM black
Hardness: SH 65
Length 30.7300: 3 m
Length 30.7300/4: 4 m

30.7300/4Y *



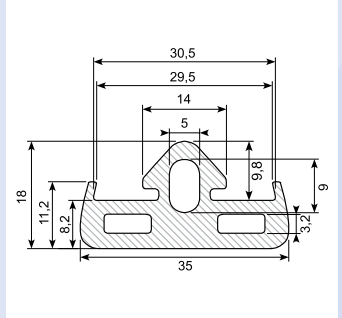
Material: EPDM yellow
Hardness: SH 65
Min. order: 64 m

30.6944 *



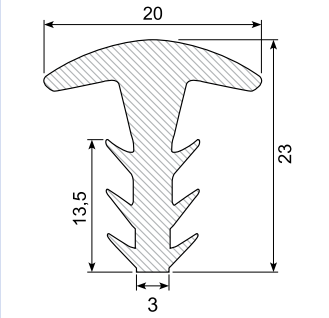
Material: EPDM black
Hardness: SH 65
Min. order: 200 m

30.5550M



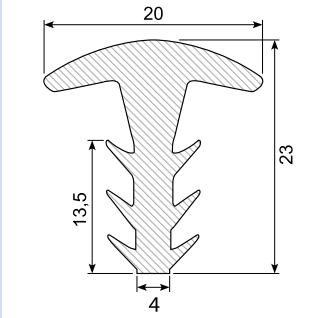
Material: EPDM black
Hardness: SH 65

30.2653 *



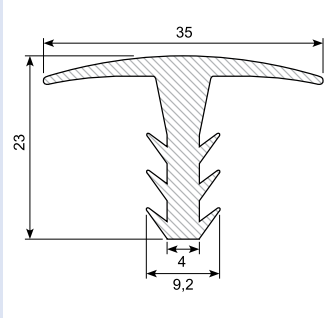
Material: EPDM black
Hardness: SH 65
Min. order: 1.000 m

30.5981



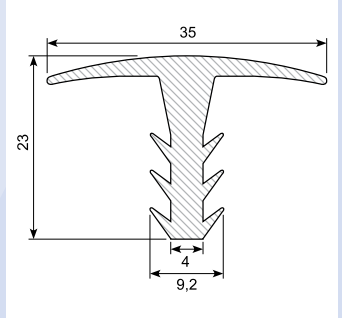
Material: EPDM black
Hardness: SH 65

30.8199



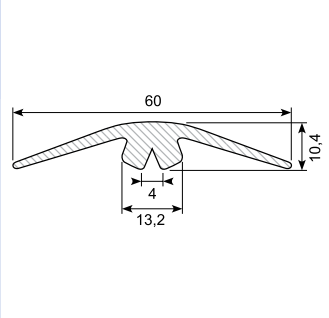
Material: EPDM black
Hardness: SH 65
Length: 4 m

30.8199W



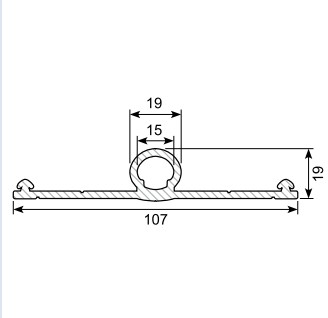
Material: EPDM white
Hardness: SH 65
Length: 4 m
Min. order: 223 m

30.6759



Material: EPDM black
Hardness: SH 65

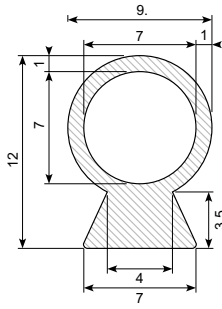
30.7770 *



Material: EPDM black
Hardness: SH 65
Min. order: 200 m

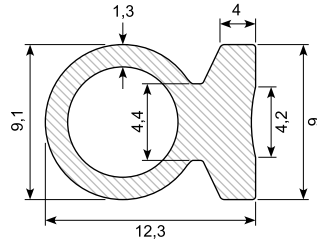
Spezialprofile

30.314S



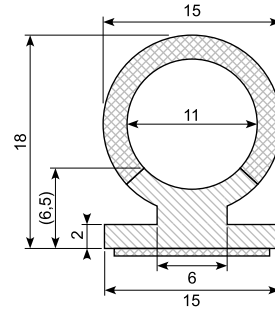
Rubber profile
Material: EPDM
Hardness: SH 60 / 65

30.7651



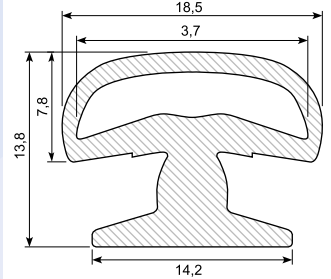
Balloon profile
Material: EPDM
Hardness: SH 65

30.313**



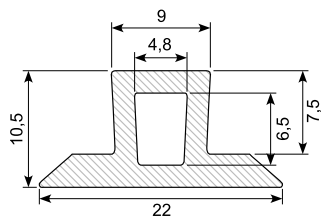
Co-ex profile
Material: EPDM / sponge rubber
With adhesive
Hardness: SH 80

30.7648



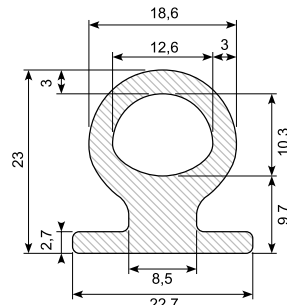
Material: EPDM black
Hardness: SH 65

30.7106* **



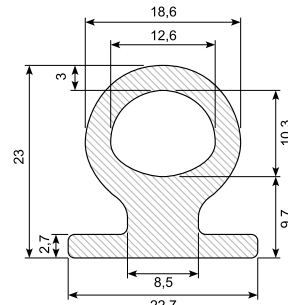
Material: EPDM, black
Hardness: SH 65
Min. order: 1.000 m

30.315S



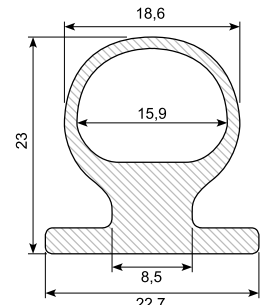
Material: EPDM black
Hardness: SH 65
Length: 10 m

30.315SB



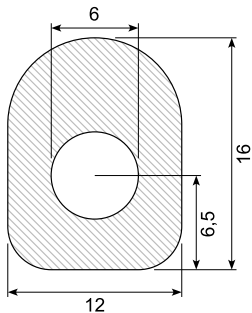
Material: EPDM black
Hardness: SH 45
Length: 10 m

30.7613*



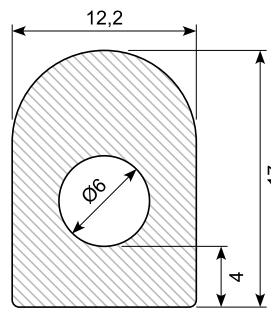
Material: EPDM black
Hardness: SH 60
Min. order: 500 m

30.50967*



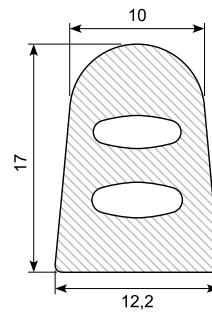
Material: NBR black
Hardness: SH 65
Min. order: 500 m
Oil resistant

30.13841



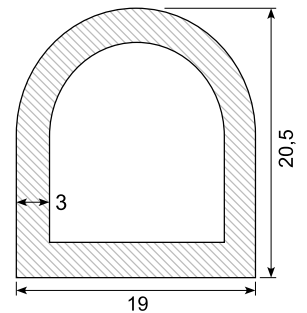
Material: NBR black
Hardness: SH 45A
Oil resistant

30.14053



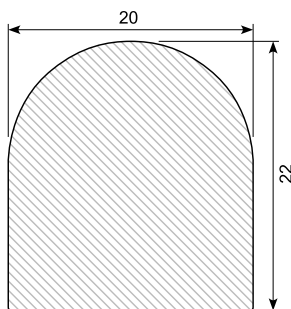
Material: NBR black
Hardness: SH 50A
Oil resistant

30.OT3354



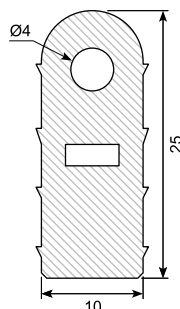
Material: Silicone white
Hardness: SH 60

30.7645*



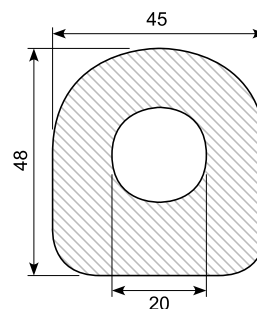
Material: EPDM black
Hardness: SH 45
Min. order: 50 m

30.13421



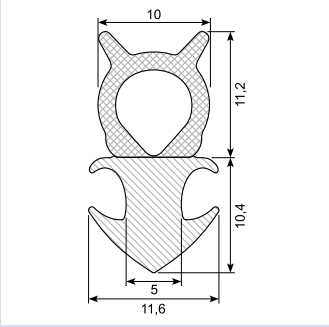
Material: EPDM
Hardness: SH 65

30.7559



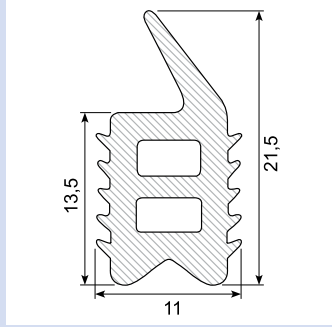
Material: NBR black
Hardness: SH 60
Oil resistant

30.14130



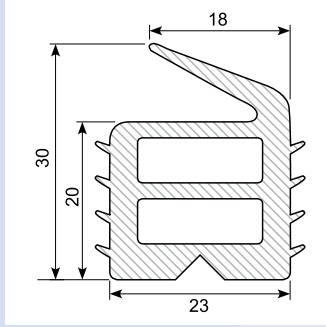
Co-ex profile
Material: EPDM
Hardness: SH 70 / density 85-95

30.190



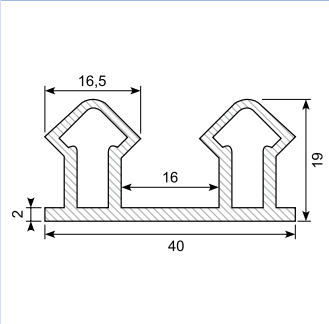
Material: PVC
Hardness: SH 57

30.8270 *



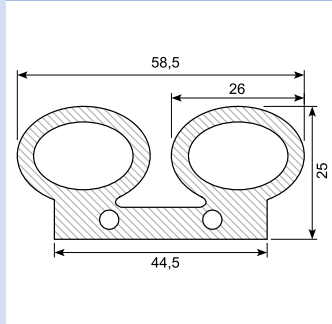
Material: EPDM black
Hardness: SH 57
Min. order: 150 m

30.OT1387 *



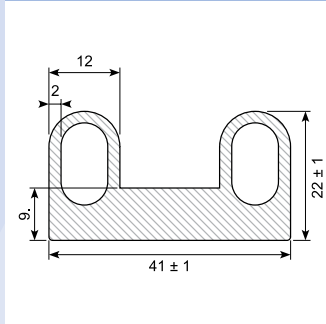
Material: Silicone grey
Hardness: SH 60
Min. order: 40 m

30.OT3272 *



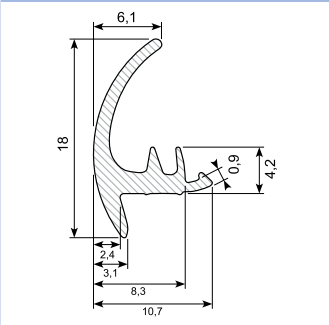
Material: Silicone blue
Hardness: SH 60
Min. order: 50 m

30.15170



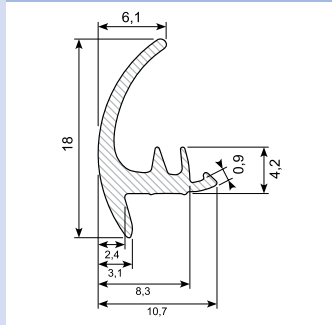
Material: PVC black
Hardness: SH 72

32.8518



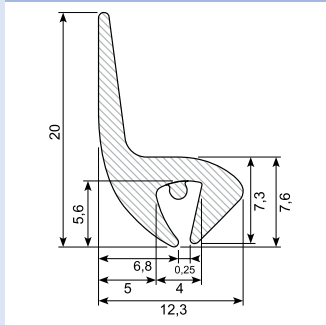
End-stop profile
Material: EPDM
Hardness: SH 65
Roll of 50 m

32.8518W *



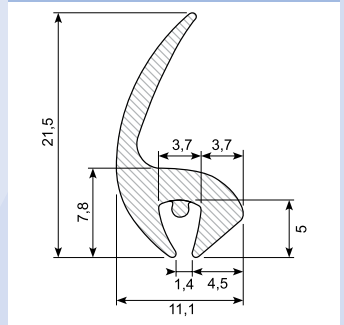
Color: White, RAL 9003
Material: EPDM
Hardness: SH 60
Min. order: 1.500 m

32.8516



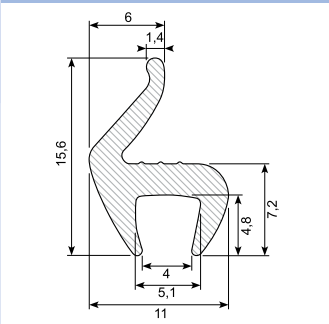
End-stop profile
Material: EPDM
Hardness: SH 65
Roll of 50 m

32.8517



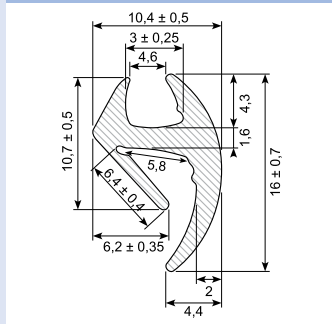
End-stop profile
Material: EPDM
Hardness: SH 65
Roll of 50 m

32.8520



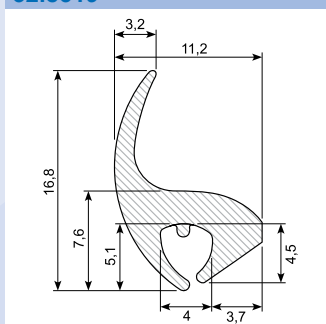
Universal end-stop profile
Material: EPDM
Hardness: SH 65
Roll of 50 m

31.369



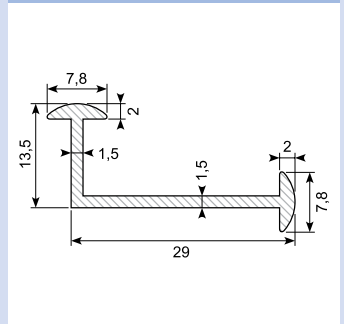
End-stop profile
Material: EPDM black
Hardness: SH 65

32.8519



End-stop profile
Material: EPDM
Hardness: SH 65
Roll of 50 m

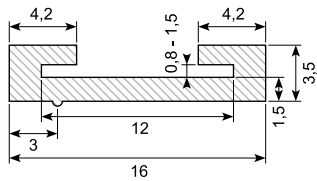
30.12553-2 *



Material: EPDM black
Hardness: SH 60A
Min. order: 1.500 m

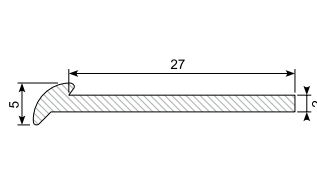
Spezialprofile

30.798



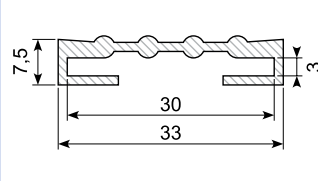
Material: EPDM black
Hardness: SH 65

30.14163-1



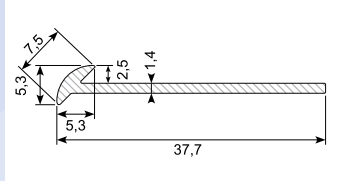
Material: EPDM
Hardness: SH 65

30.144



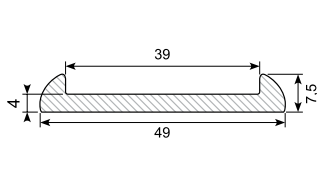
Material: EPDM black
Hardness: SH 60

30.5179



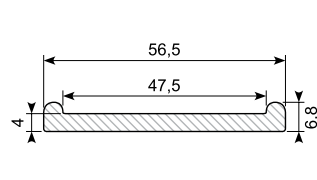
Material: EPDM

30.141



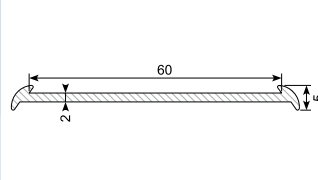
Material: EPDM
Hardness: SH 60

30.142S



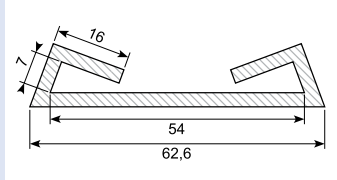
Material: EPDM black
Hardness: SH 65

30.14163



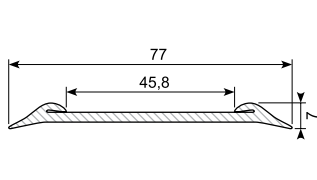
Material: EPDM
Hardness: SH 65

30.8331



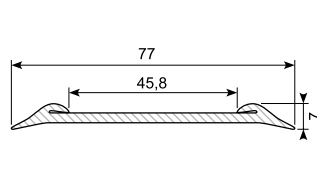
Material: EPDM black
Hardness: SH 65

30.145W *



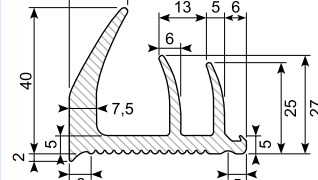
Material: EPDM white
Hardness: SH 65
Min. order: 300 m

30.145 *



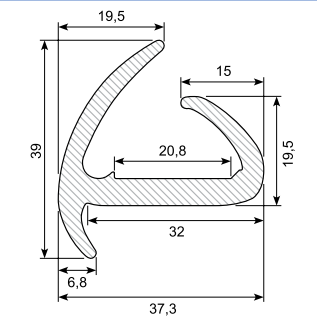
Material: EPDM black
Hardness: SH 70
Min. order: 200 m

30.13447-8 *



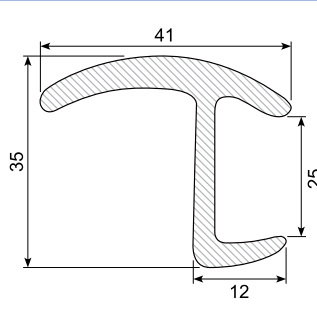
Container profile
Material: EPDM
Hardness: SH 70
Length: 2,5 m
Min. order: 500 m

30.7663



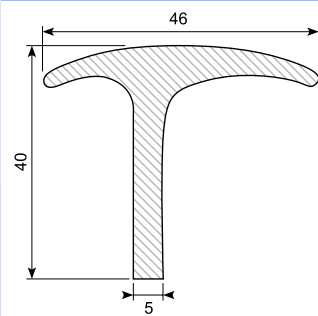
Material: EPDM black
Hardness: SH 65
Length: 5 m

30.340



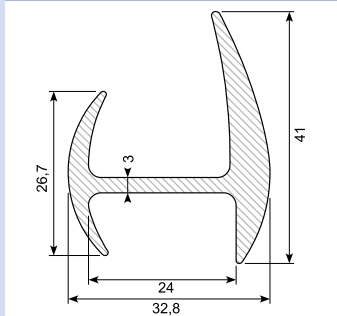
Material: EPDM black
Hardness: SH 50
Length: 3 m

30.2438



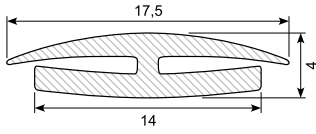
Material: EPDM black
Hardness: SH 65
Length: 2,2 m

30.4437 *



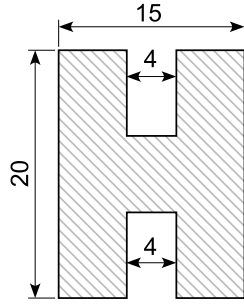
Material: EPDM black
Hardness: SH 60
Min. order: 85 m

30.7411



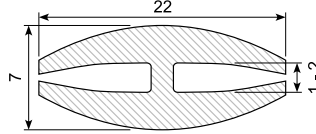
Material: EPDM black
Hardness: SH 65
Grip range: 1 - 1,5 mm

30.13062 *



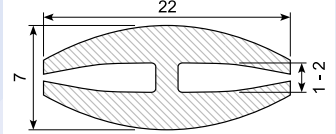
Material: EPDM
Hardness: SH 65
Min. order: 500 m

34.7528-2H *



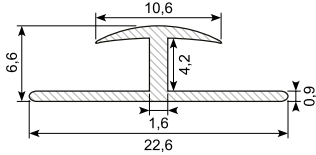
Material: PVC white
Min. order: 250 m

34.7528-2 *



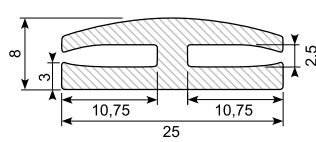
Material: PVC grey

34.3546 *



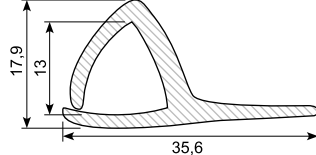
Material: PVC white

30.762



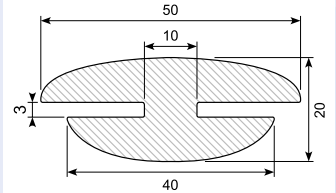
Material: EPDM black
Hardness: SH 65

31.072



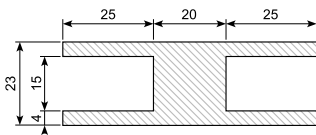
Material: EPDM black
Hardness: SH 65

30.7266 *



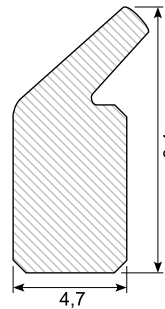
Material: EPDM black
Hardness: SH 65
Min. order: 50 m

30.12932-2 *



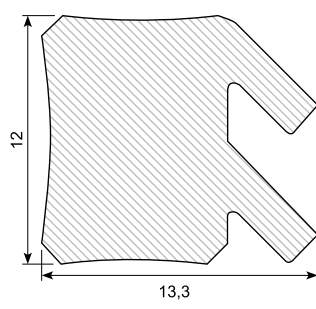
Material: EPDM black
Hardness: SH 60
Min. order: 400 m

30.29300-130 *



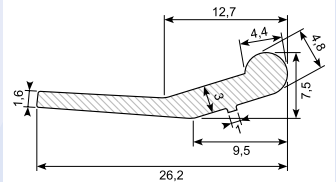
Material: CR black
Hardness: SH 65
Min. order: 100 m
Conditional oil resistant

30.29300-129 *



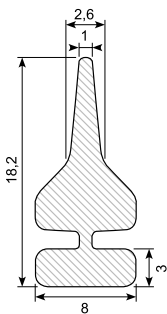
Material: CR black
Hardness: SH 65
Min. order: 300 m
Conditional oil resistant

30.16688



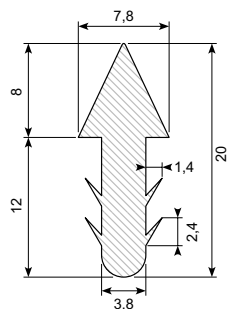
Material: EPDM
Hardness: SH 70

30.7811 *



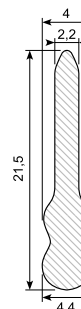
Material: EPDM black
Hardness: SH 60
Min. order: 1.500 m

30.11905



Material: Silicone black
Hardness: SH 50

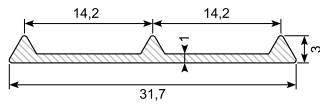
30.7249 *



Material: CR black
Hardness: SH 70
Min. order: 500 m
Conditional oil resistant

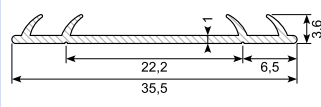
Spezialprofile

30.13049-4



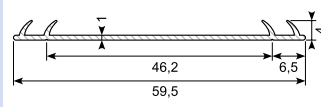
Material: EPDM black
Hardness: SH 60A

30.13049-2 *



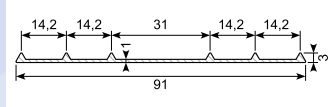
Material: EPDM
Hardness: SH 60A
Min. order: 5.000 m

30.13049-1 *



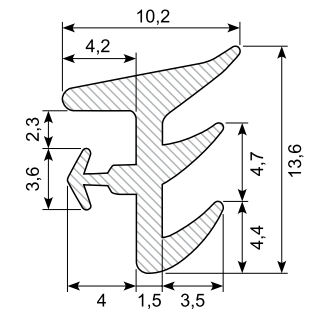
Material: EPDM
Hardness: SH 60A
Min. order: 4.000 m

30.13049-5 *



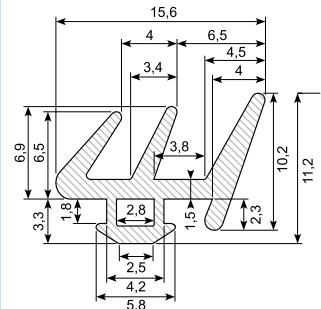
Material: EPDM black
Hardness: SH 60A
Min. order: 2.000 m

30.4469



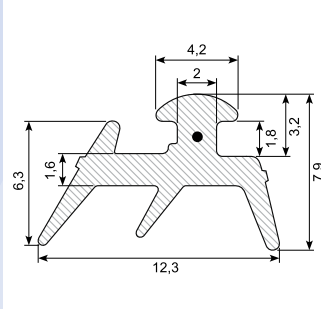
Material: EPDM
Hardness: SH 60
Coated with silicone

30.10485



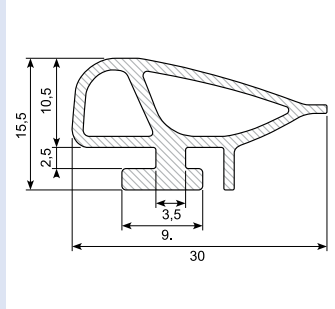
Material: EPDM
Coated with silicone

30.9387-2 *



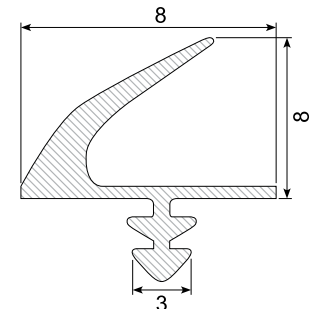
Material: EPDM
Min. order: 5.000 m
With internal cord

30.13796 *



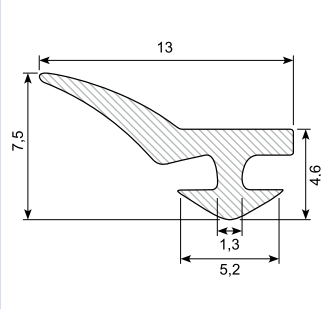
Material: EPDM black
Hardness: SH 75A
Min. order: 1.000 m

30.OT1092 *



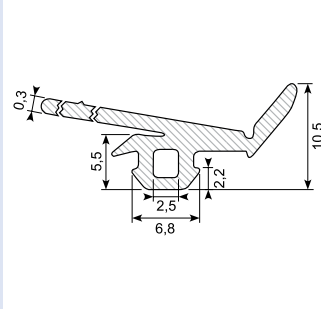
Material: Silicone white
Min. order: 300 m

31.702 *



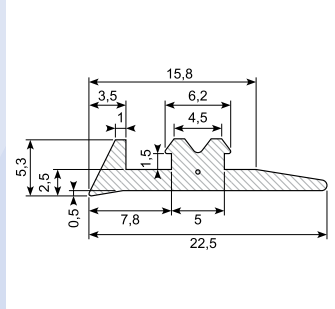
Material: EPDM black
Hardness: SH 70
Conditional oil resistant
Min. order: 2.000 m
(restlager 135m)

30.7507 *



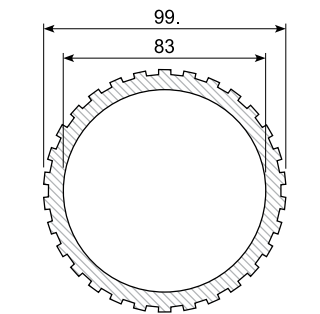
Material: EPDM black
Hardness: SH 65
Min. order: 1.000 m

30.10461-2



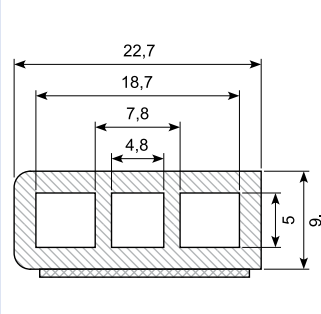
Material: EPDM with cord

30.7845 *



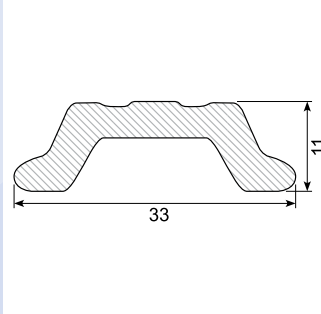
Material: SBR black
Hardness: SH 70
Min. order: 51 m

30.16977 *



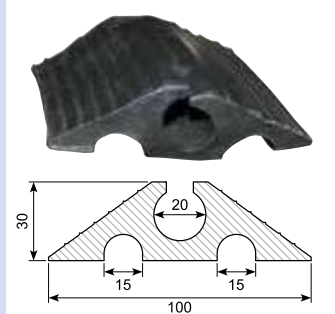
Material: PVC hard white
with adhesive
Min. order: 3.000 m

30.5596 *



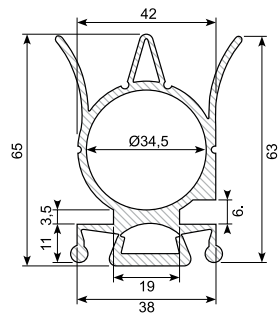
Material: EPDM black
Hardness: SH 65
Min. order: 500 m

52.PP106



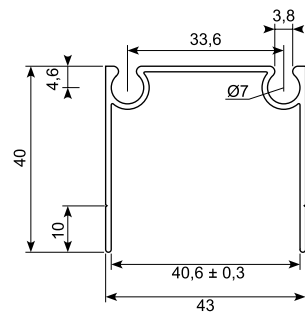
Material: NR / SBR
Cable transmission. Roll 9 m

30.13503



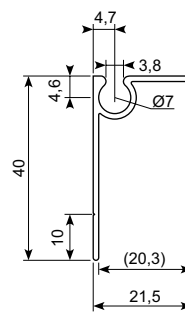
Material: EPDM black
Hardness: SH 60A
For track [41.13459](#)

41.13459



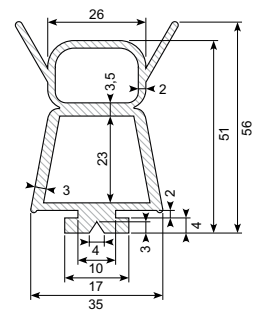
Aluprofile for gate
Anodized surface. Length 6 m.
Calculated weight 479 g/m.
For profile: [30.13503](#)

41.13459X *



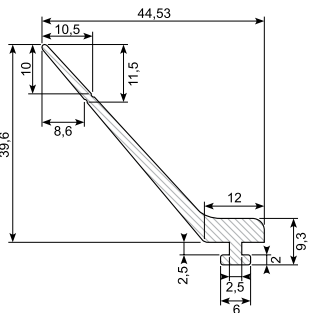
1/2 aluprofile for gate 21.5 x 40 mm
Anodized surface. Length 6 m.
Calculated weight: 239 g/m
For profile: [30.13503](#)
Min. order: 50 pcs. + add on costs

30.9215



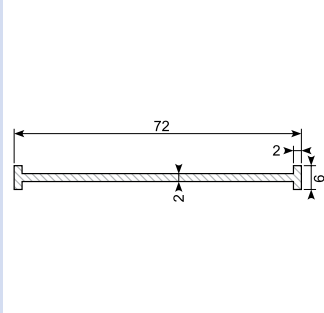
Material: EPDM
Hardness: SH 65 - 70

30.9826-1



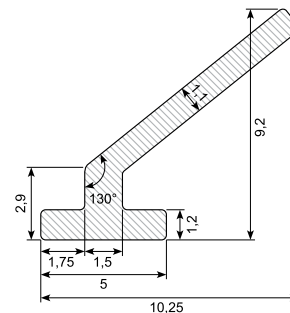
Material: EPDM
Hardness: SH 70

30.9826-2



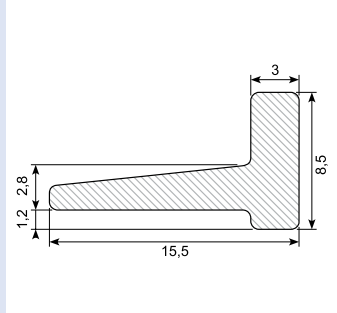
Material: EPDM
Hardness: SH 70

30.10036



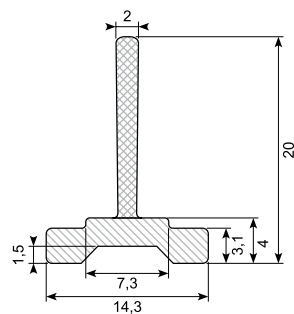
Material: EPDM
Hardness: SH 70

30.9996-6 *



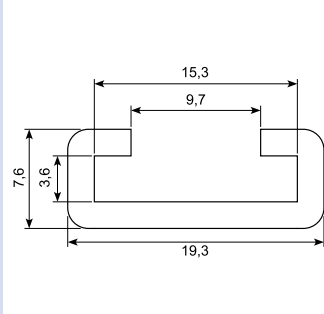
Material: EPDM
Hardness: SH 60
Min. order: 1,200 m

30.13242



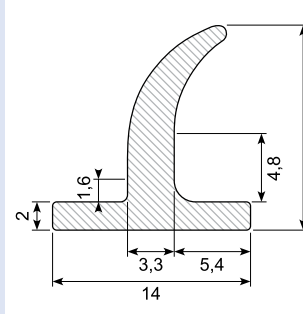
Material: EPDM co-ex
Hardness: SH 85 / 62
Length: 3.000 mm
(Rail see [41.670](#))

41.670



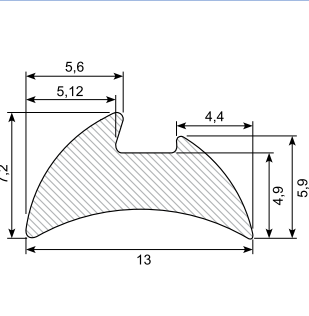
Elekeret alu.
3 m med montagehuller.
Ø4 hver 200 mm.
Til profil [30.13242](#)

30.16239



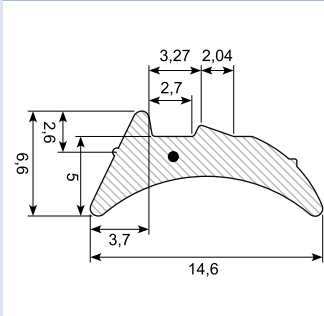
Material: EPDM
Hardness: SH 70

30.9996-5



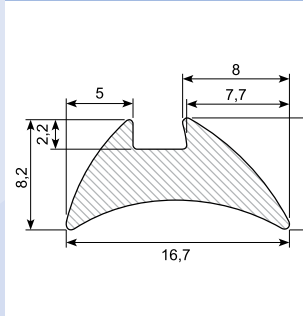
Material: EPDM
Hardness: SH 70

30.9387-1



Material: EPDM
Hardness: SH 70
With cord

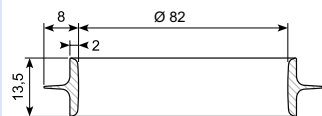
30.9996-4



Material: EPDM
Hardness: SH 70

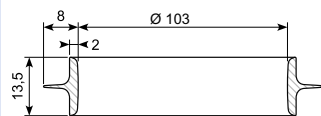
Spezialprofile

30.9437-100



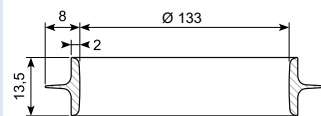
Ventilation ring
Material: EPDM black
Hardness: SH 60 - 65

30.9437-125



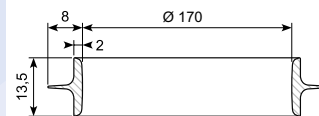
Ventilation ring
Material: EPDM black
Hardness: SH 60 - 65

30.9437-160



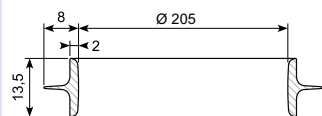
Ventilation ring
Material: EPDM black
Hardness: SH 60 - 65

30.9437-200



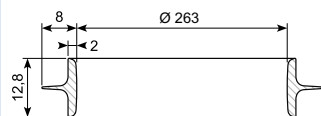
Ventilation ring
Material: EPDM black
Hardness: SH 60 - 65

30.9437-250



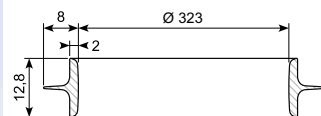
Ventilation ring
Material: EPDM black
Hardness: SH 60 - 65

30.9437-315 *



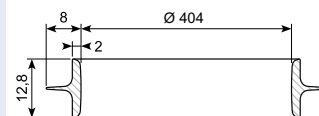
Ventilation ring
Material: EPDM black
Hardness: SH 60 - 65
Min. order: 1.000 m

30.9437-400 *



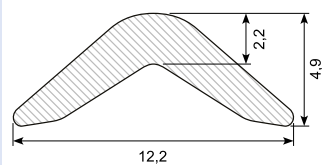
Ventilation ring
Material: EPDM black
Hardness: SH 60 - 65
Min. order: 1.000 m

30.9437-500



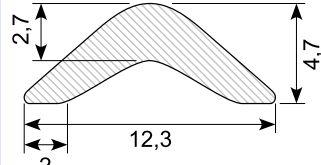
Ventilation ring
Material: EPDM black
Hardness: SH 60 - 65

45.205SX



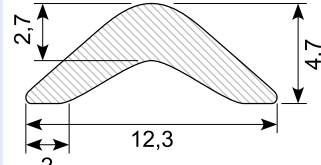
Material: PVC silver grey

45.209BX



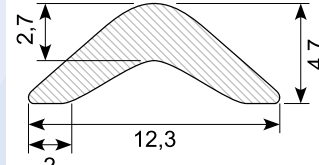
Material: PVC black

45.210B / 45.210BX



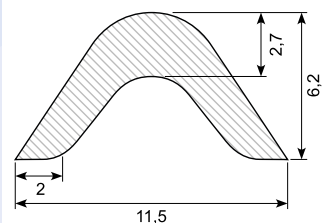
Material: PVC white

45.210C / 45.210CX



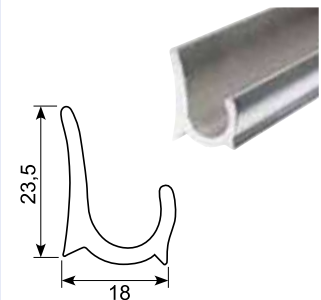
Material: PVC off white

45.208



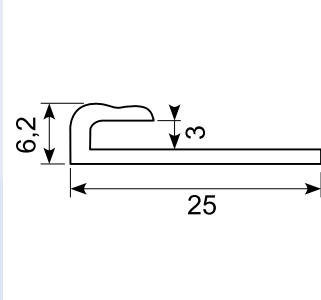
Material: PVC blue

41.406



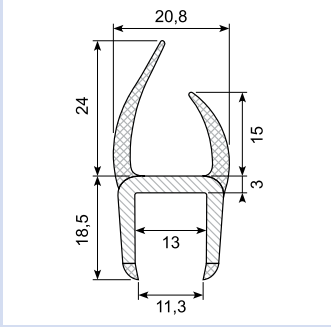
Material: -
Length: 5 m

41.611P



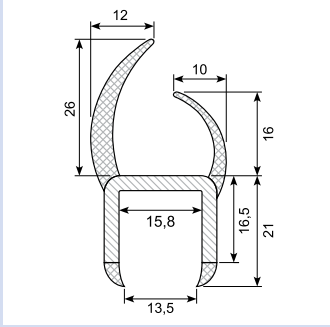
Material: Aluminium
Length: 5 m

50.083013 *



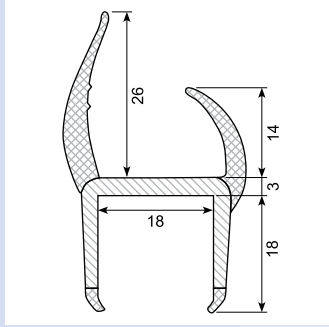
Material: PVC co-ex profile 13 mm
Black / white
Length: 5 m
With 4 soft lips
Min. order: 200 pcs

50.083015GG / 50.083015GGX



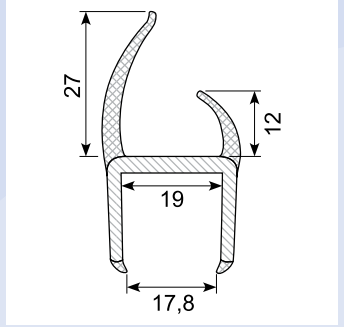
Material: PVC co-ex profile 15 mm
Light grey / grey lips
Length: 5 m
With 4 soft lips
50.083015GGX: 4 m light/light

50.083030



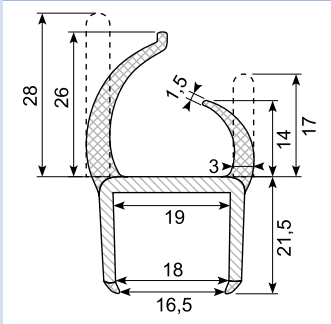
Material: PVC co-ex profile 18 mm
Black / white
Length: 5 m
With 4 soft lips

50.083032GG *



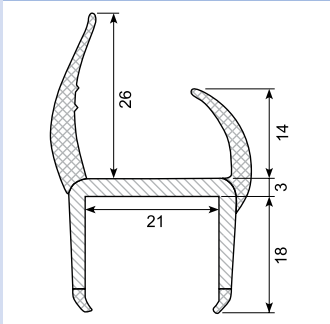
Material: PVC co-ex profile 18,4 mm. Grey / grey (other colors possible)
Length: 6 m
With 4 soft lips
Min. order: 500 m

50.083033



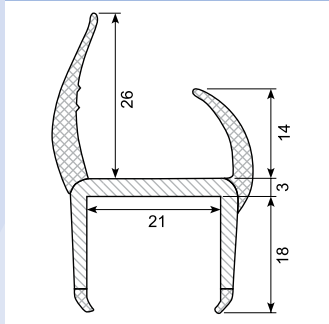
Material: PVC co-ex profile 19 mm
Black lips / light grey
Length: 5 m
With 4 soft lips

50.083040GS



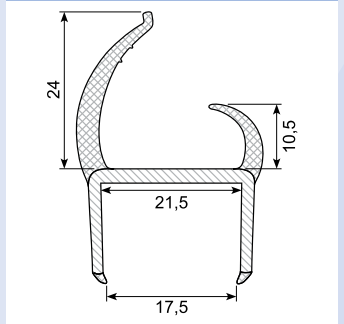
Material: PVC co-ex profile 21 mm
Black / grey
Length: 6 m
With 4 soft lips

50.083040



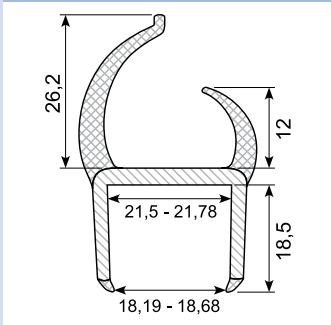
Material: PVC co-ex profile 21 mm
Black / white
Length: 5 m
With 4 soft lips
Min. order: 200 pcs.

50.083040G



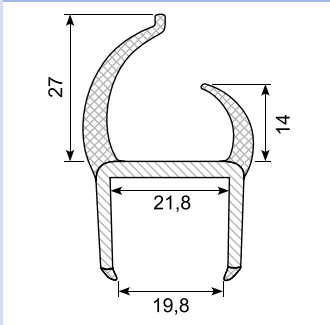
Material: PVC co-ex profile 21 mm
Grey / grey
Length: 5 m
With 4 soft lips

50.083033X



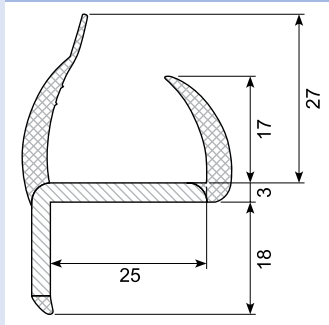
Material: PVC co-ex profile 20 mm
Black lips / light grey
Length: 5 m
With 4 soft lips

50.083040GG *



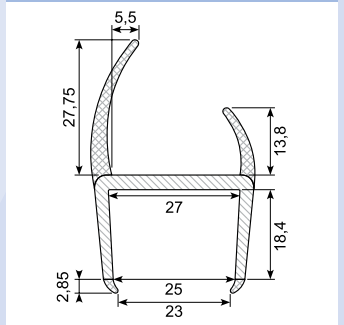
Material: PVC co-ex profile 20,8 mm. Grey / grey (other colors possible)
Length: 6 m
With 4 soft lips

50.083045X *



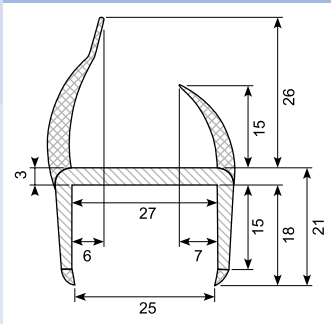
Material: PVC co-ex profile 25 mm (different colors possible)
Length: 5 m
With 3 soft lips
Min. order: 250 m (China)

54.710720 *



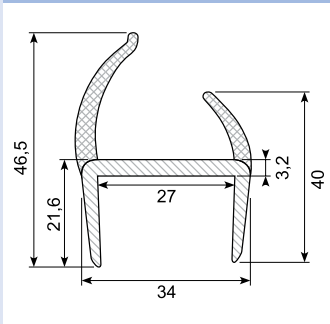
Material: PVC co-ex profile 25 mm
Hardness: Hard/soft
Length: 3 m
With 4 soft lips
Min. order: 25 pcs.

50.083045G *



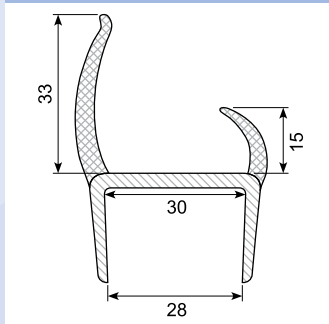
Material: PVC co-ex profile 25 mm
Different colors possible
Length: 6 m
With 4 soft lips
Min. order: 500 m

50.083046



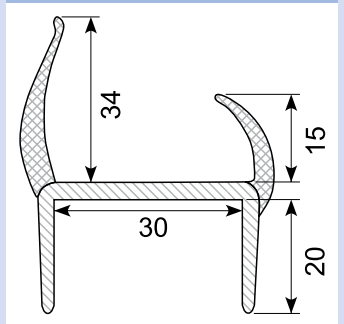
Material: Co-ex profile 27 mm
Light grey / light grey
Length: 5 m
With 2 soft lips

50.083050GG *



Material: PVC co-ex profile 30 mm
Grey / grey (other colors possible)
Length: 5 m
With 2 soft lips
Min. order: 500 m

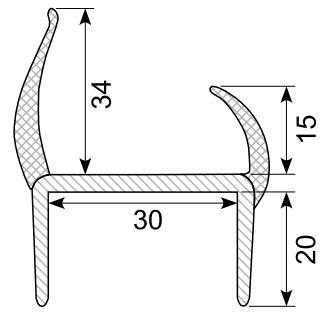
50.083050



Material: PVC co-ex profile 30 mm
Black / white
Length: 5 m
With 2 soft lips

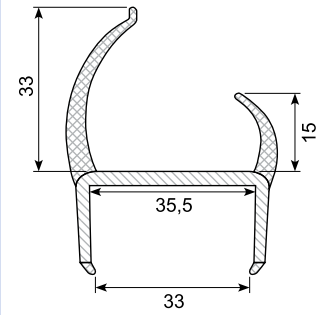
Spezial-Kunststoffprofile

50.083050G



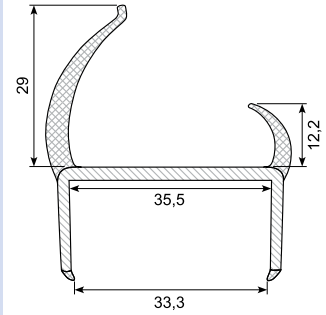
Material: PVC co-ex profile 30 mm
Black / light grey
Length: 5 m
With 2 soft lips

50.083052G *



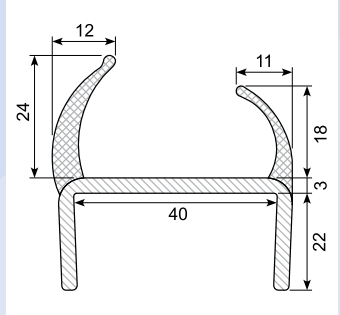
Material: PVC co-ex profile 35 mm
Grey / grey
(other colors possible)
Length: 3 m
With 4 soft lips
Min. order: 300 m

50.083055G



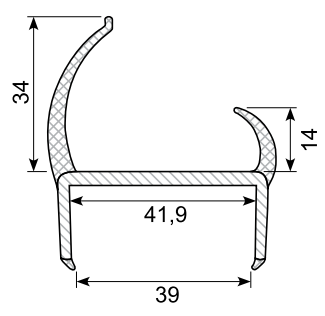
Material: PVC co-ex profile 35 mm
Light grey / grey lips
Length: 5 m
With 4 soft lips

50.083059 *



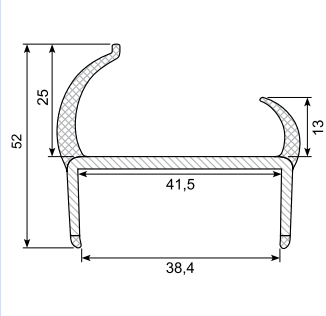
Material: PVC co-ex profile 40 mm
White / black lips
Length: 5 m
With 2 soft lips
Min. order: 250 m

50.083060 *



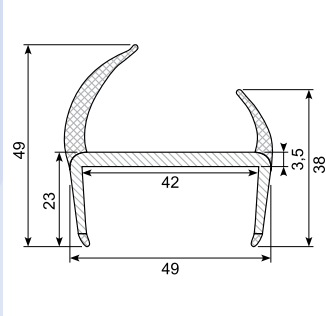
Material: PVC co-ex profile 40 mm
White / black lips
(other colors pos.)
Length: 5 m
With 4 soft lips
Min. order: 500 m

50.083060G



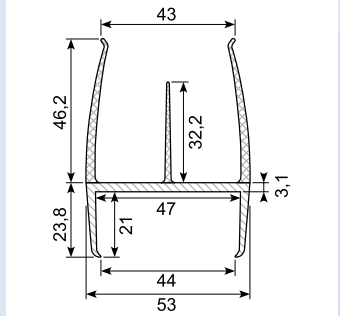
Material: PVC co-ex profile 40 mm
Light grey / grey lips
Length: 5 m
With 2 soft lips

50.083061 *



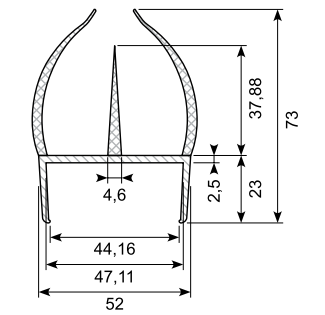
Material: PVC co-ex profile 42 mm
White / black lips
Length: 5 m
With 4 soft lips
Min. order: 250 m (China)

50.083065 *



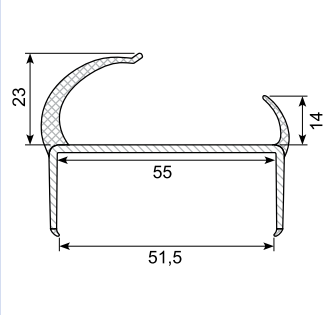
Material: PVC co-ex profile 45 mm
Grey / grey
(other colors possible)
Length: 5 m
With 3 soft lips
Min. order: 250 m

50.083065G



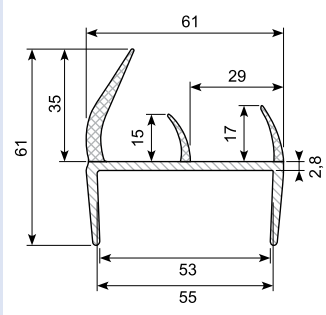
Material: Co-ex profile
Length: 5 m

50.083070G



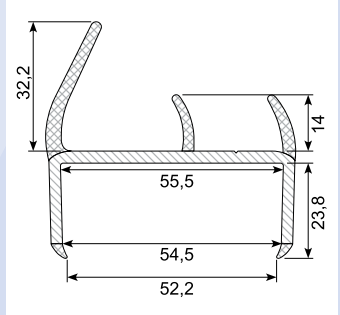
Material: PVC co-ex profile 55 mm
Light grey / grey lips
Length: 5 m
With 4 soft lips

50.083070B *



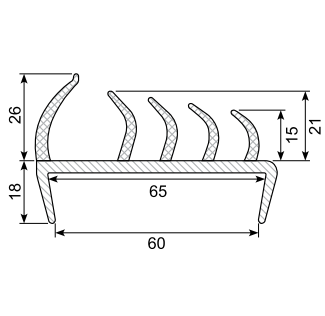
Material: PVC co-ex profile 55 mm
White / black lips
Length: 5 m
Min. order: 500 m
With 4 soft lips

54.710770 *



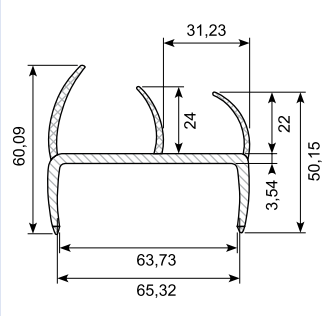
Material: Grey PVC co-ex profile 30 mm
Length: 3 m
Min. order: 50 m
With 4 soft lips

50.083081 *



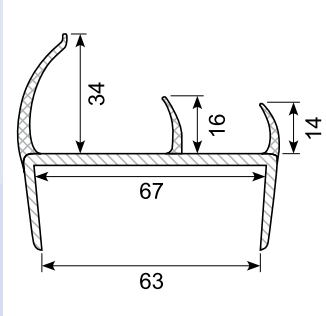
Material: PVC black co-ex profile 65 mm
With 5 soft lips
Min. order: 250 m

50.083080GG *



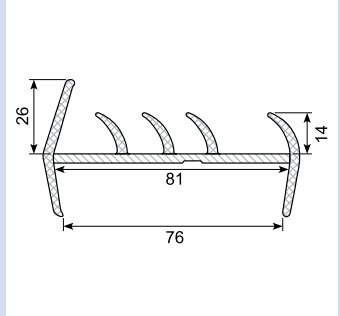
Material: PVC co-ex profile 65 mm
Light grey / light grey lips
Length: 5 m
With 3 soft lips
Min. order: 250 m (China)

50.083080G



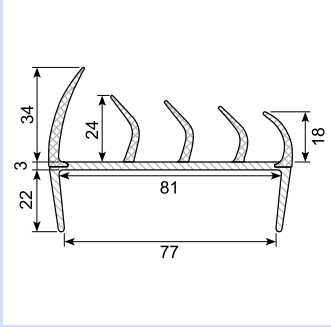
Material: PVC co-ex profile 65 mm
Grey / grey lips
Length: 5 m
With 2 soft lips

50.083088 *



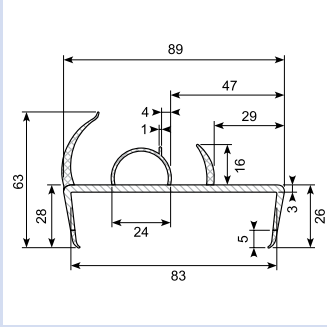
Material: PVC co-ex profile 81 mm
Black
With 5 soft lips
Min. order: 250 m

50.083089 *



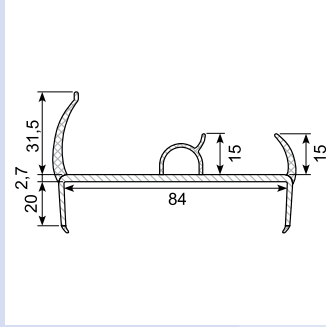
Material: PVC co-ex profile 81 mm
Black
With 5 soft lips
Min. order: 250 m

50.083090



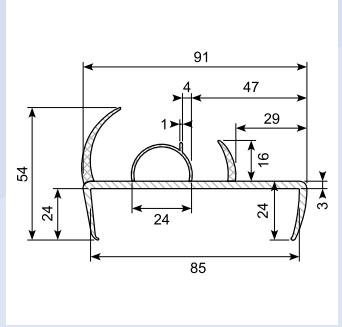
Material: PVC co-ex profile 83 mm
Light grey / light grey
Length: 5 m
With 4 soft lips

50.083095B *



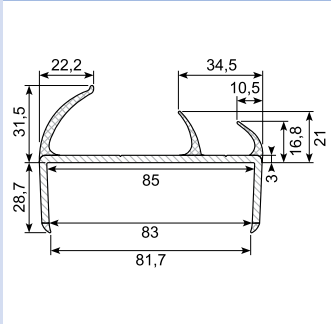
Material: PVC co-ex profile 84 mm
White / black lips.
Length: 5 m
Min. order: 500 m
With 4 soft lips

50.083095 / 50.083095G *



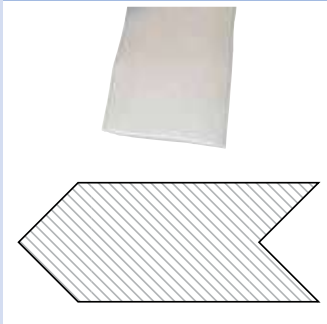
Material: PVC co-ex profile 85 mm
White / black lips.
Length: 5 m
With 4 soft lips
50.083095G: Min order: 250 m.

54.710780 *



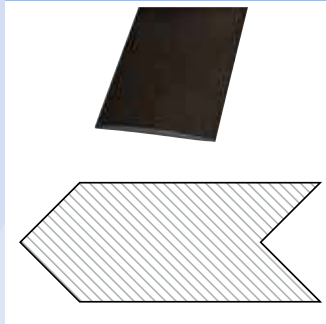
Material: PVC co-ex profile 85 mm
Black / grey
Hardness: Hard / soft
Length: 3 m
With 4 soft lips
Min. order: 50 pcs.

50.083000GG



Grå hjørnebånd
Grey connection part. Soft PVC.
In running meters

50.083000SS



Sort hjørnebånd
Black connection part. Soft PVC.
In running meters

