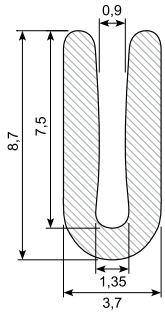


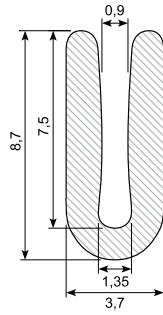
U-Profile

31.018S *



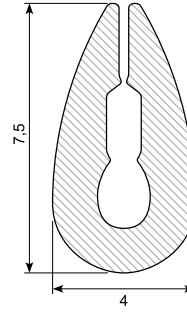
Material: EPDM black
 Hardness: SH 65
 Min. order: 4.100 m

31.018X



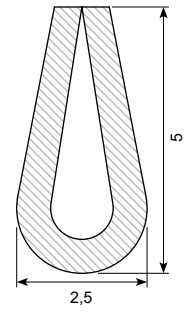
Material: PVC black
 Hardness: SH 65

34.018X



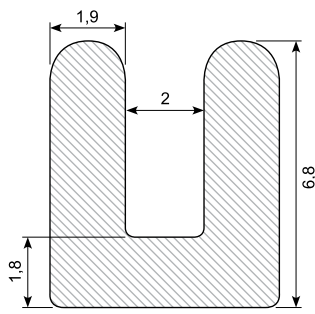
Material: PVC light grey
 Hardness: Soft

34.14334X



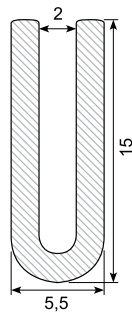
Material: PVC black
 Plade: 1,5 - 2 mm

31.060S



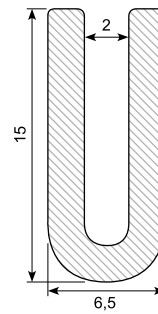
Material: EPDM black
 Hardness: SH 65

31.041S



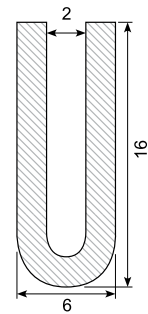
Material: EPDM black
 Hardness: SH 65

31.042S



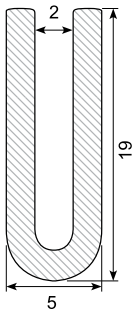
Material: EPDM black
 Hardness: SH 65

30.OT3394 *



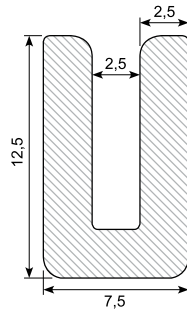
Material: Silicone black
 Min. order: 100 m

31.047 *



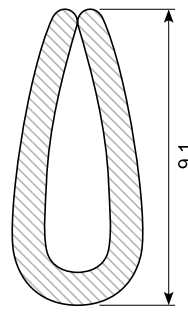
Material: EPDM black
 Hardness: SH 65
 Min. order: 1.000 m

31.063



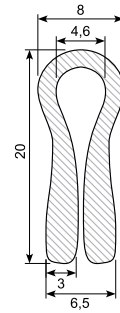
Material: EPDM black
 Hardness: SH 65

30.9548



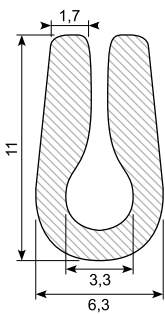
Material: PVC hard light grey
 Length: 3,9 m

31.025S



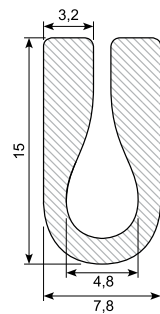
Material: EPDM black
 Hardness: SH 65

31.021S



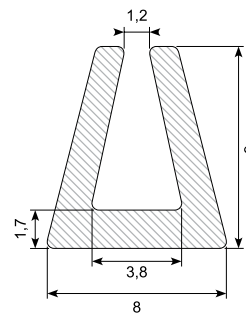
Material: EPDM black
 Hardness: SH 65

31.022S



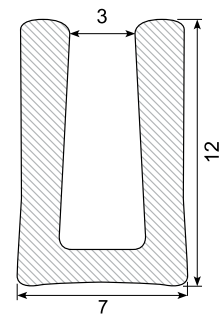
Material: EPDM black
 Hardness: SH 65

34.031X



Material: PVC transparent
 Hardness: Soft

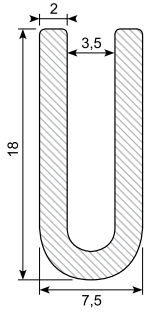
30.13086



Material: EPDM black
 Hardness: SH 80

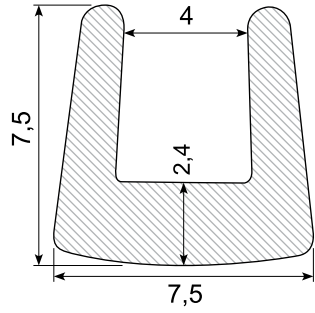
U-Profile

31.043S



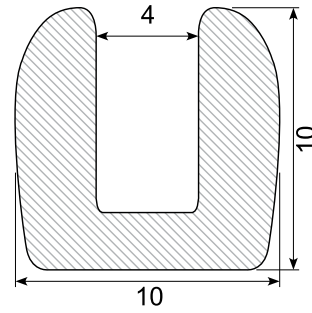
Material: EPDM black
Hardness: SH 65

31.064



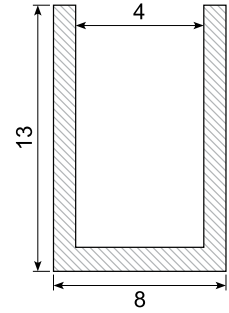
Material: EPDM black
Hardness: Hard

31.065S



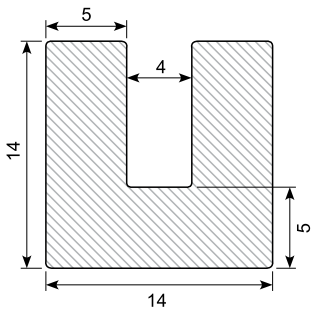
Material: EPDM black
Hardness: SH 65

31.061S



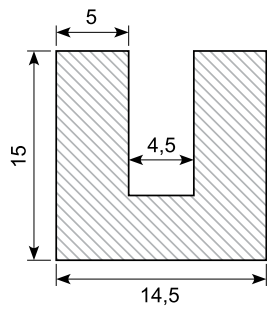
Material: EPDM black
Hardness: SH 65

30.6622N



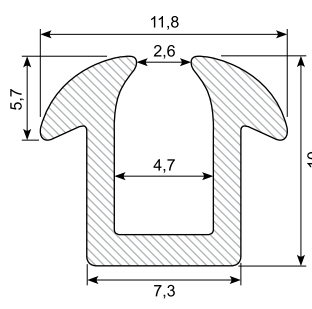
Material: NBR black
Hardness: SH 65
Oil resistant

30.6622 *



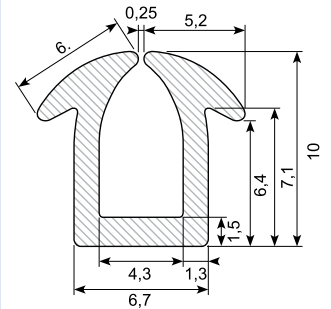
Material: EPDM black
Hardness: SH 65
Min. order: 500 m

31.216ST



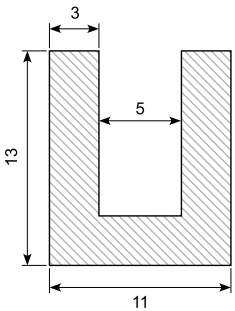
Material: EPDM black
Hardness: SH 65

31.216GS



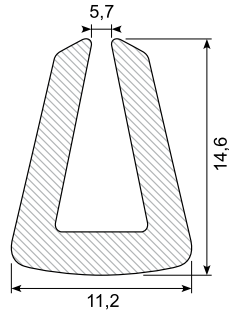
Material: Silicone light grey
Ral 7040
Hardness: SH 70

30.11459 *



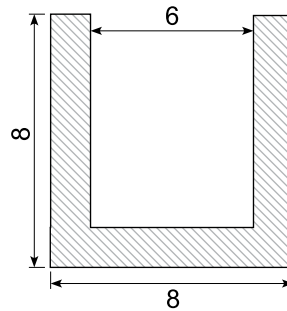
Material: Silicone transparent
Hardness: SH 45
Min. order: 250 m

34.035



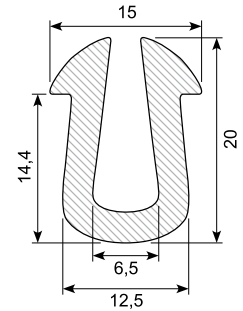
Material: PVC transparent
Hardness: Hard

31.066



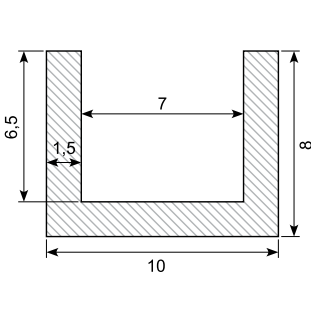
Material: Silicone black
Hardness: SH 70

30.6724



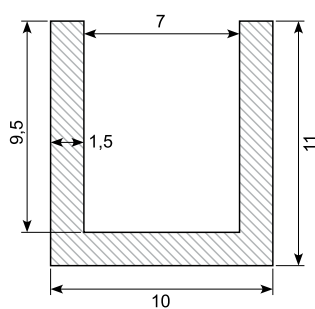
Material: EPDM black
Hardness: SH 65

30.14507-1 *



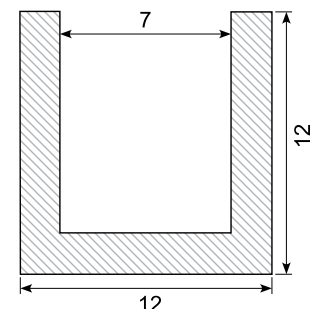
Material: EPDM black
Min. order: 3.000 m

30.14507-2 *



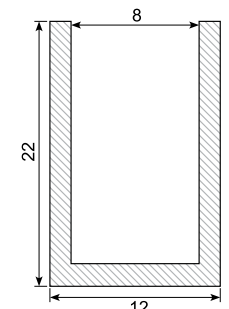
Material: EPDM black
Min. order: 3.000 m

31.068S



Material: EPDM black
Hardness: SH 65

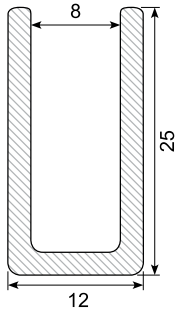
30.1386



Material: EPDM black
Hardness: SH 65

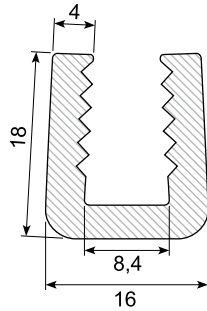
U-Profile

30.OT3440 *



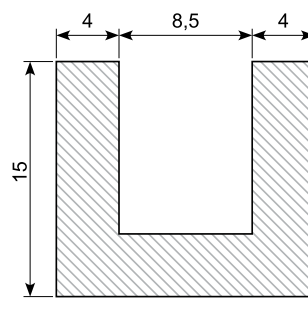
Material: Silicone black
Hardness: SH 60
Min. order: 100 m

30.12896



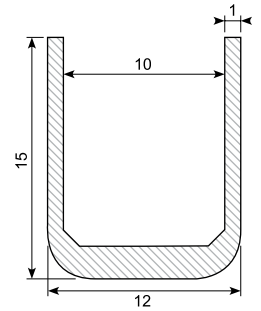
Material: EPDM black
Hardness: SH 65

31.074S *



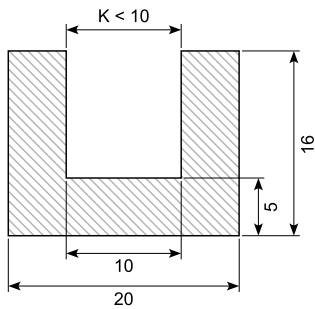
Material: EPDM black
Min. order: 1.000 m

30.7987



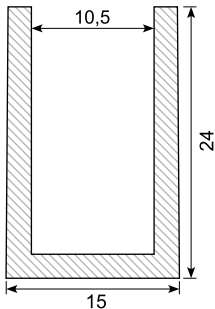
Material: EPDM black
Hardness: SH 65

30.OT0136 *



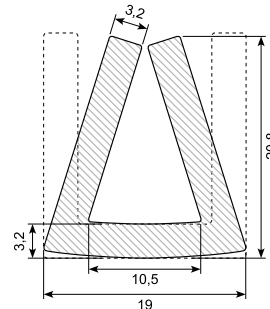
Material: Silicone white
Min. order: 100 m

31.070S



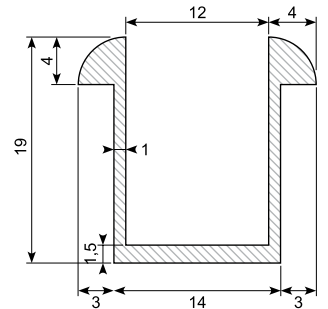
Material: EPDM black
Hardness: SH 50

31.071S



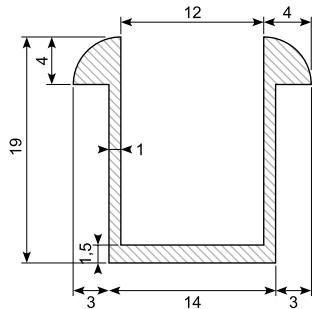
Material: EPDM black
Hardness: SH 65

30.2449



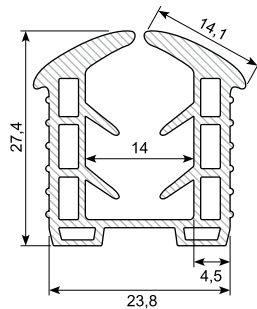
Material: PVC black
Length: 1.415 mm

30.2455



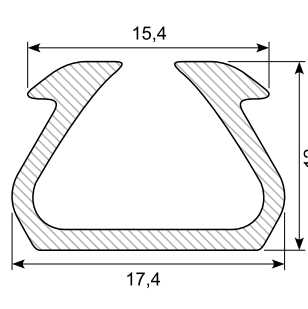
Material: PVC black
Length: 3.111 mm

30.11774



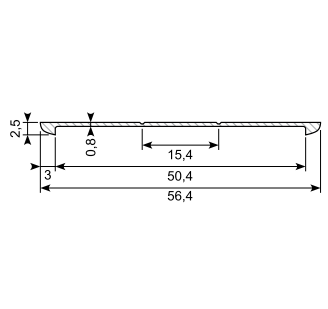
Material: EPDM
Hardness: SH 65

30.7508 *



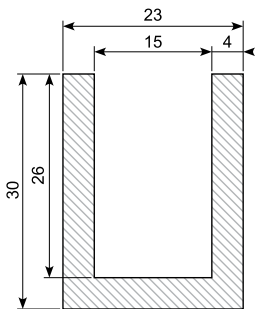
Material: EPDM black
Hardness: SH 65
Min. order: 400 m

30.9519 *



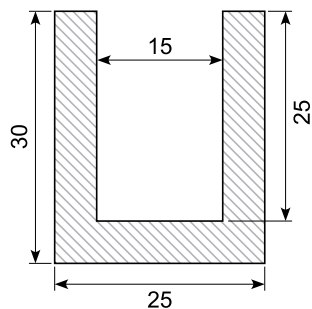
Material: PVC soft black
Min. order: 7.000 m

30.12932-1 *



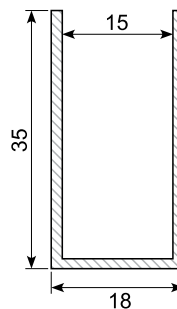
Material: EPDM black
Hardness: SH 60A
Min. order: 500 m

30.13535 *



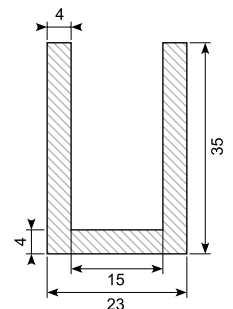
Material: EPDM black
Hardness: SH 60
Min. order: 420 m

30.7509



Material: EPDM black
Hardness: SH 65

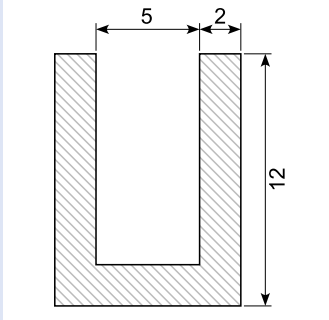
30.10777-1 *



Material: TPE black
Hardness: SH 60
Min. order: 100 m

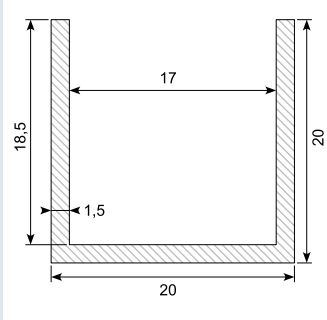
U-Profile

30.21101205



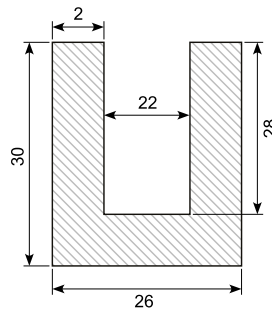
Material: EPDM
Hardness: SH 70

30.14507-3 *



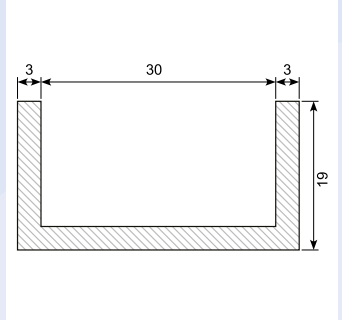
Material: EPDM
Min. order: 2.000 m

31.050



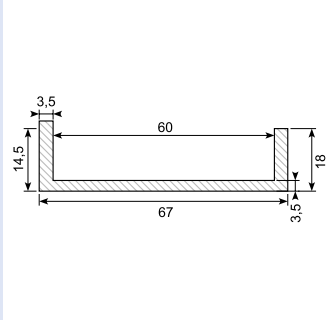
Material: EPDM black
Hardness: SH 65

30.14356 *



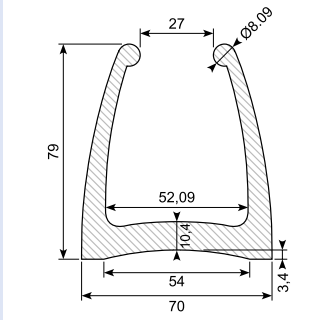
Material: TPE black
Hardness: SH 60
Min. order: 50 - 100 m

31.048 *



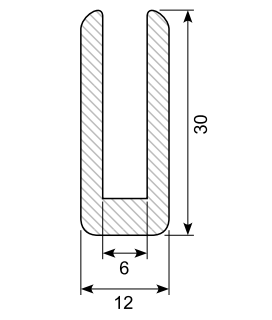
Material: EPDM black
Hardness: SH 65
Min. order: 250 m

30.11911 *



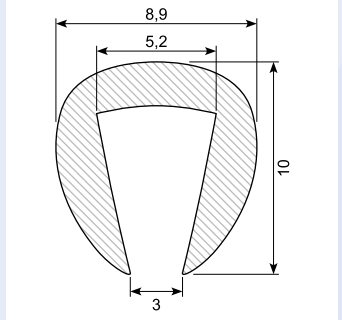
Material: EPDM
Hardness: SH 65
Min. order: 120 m

30.2984-5



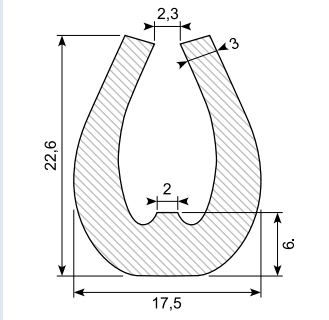
U-profile
Material: EPDM
Hardness: SH 70

34.117/6



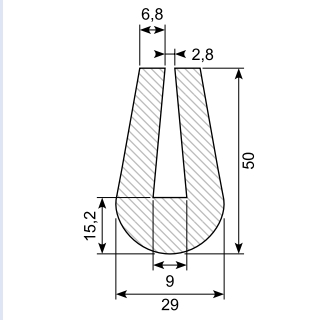
Material: Plastic metal grey

30.2984-6



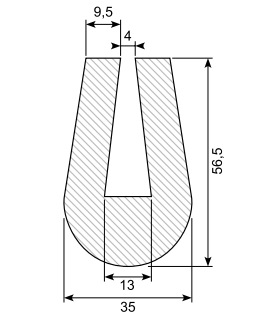
U-profile
Material: EPDM
Hardness: SH 80
Roll of 50 m

30.2984-1



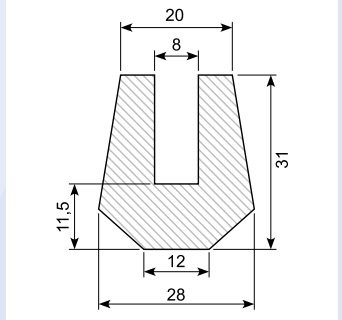
U-profile
Material: EPDM
Hardness: SH 70
Roll of 25 m

30.2984-2



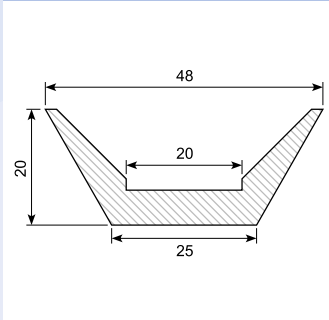
U-profile
Material: EPDM
Hardness: SH 65
Roll of 25 m

30.2984-3



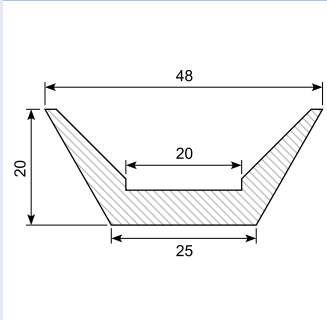
U-profile
Material: EPDM
Hardness: SH 70
Roll of 25 m

30.7519NBR *



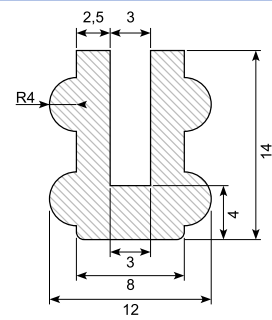
Material: NBR grey
Hardness: SH 65
Length: 3 m
Min. order: 500 m
Oil resistant

30.7519 *



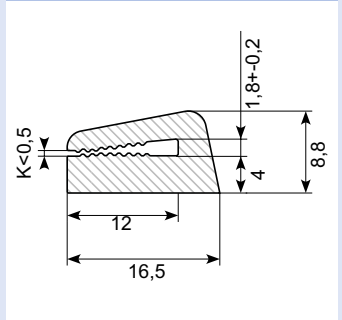
Material: EPDM black
Hardness: SH 65
Length: 50 m coils
Min. order: 50 - 250 m

30.14227 *



Material: Silicone transparent
Min. order: 100 m

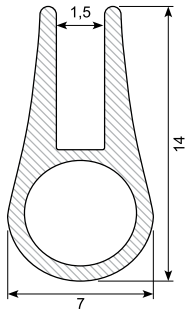
30.11393 **



Material: Silicone, grå

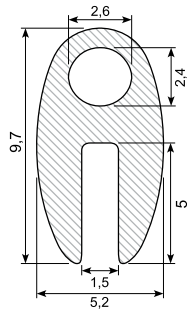
U-Profile

31.037SI



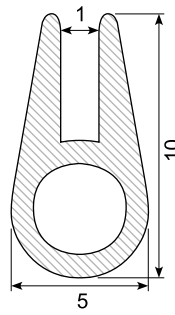
Material: Silicone black

31.035S



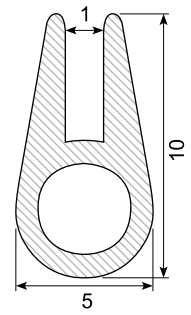
Material: EPDM black
Hardness: SH 65

31.036SI *



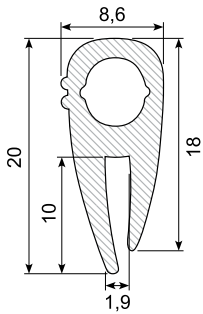
Material: Silicone black
Min. order: 200 m

31.036SI-LTC



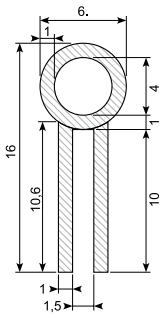
Material: Silicone black
UL94 approved

30.9884X *



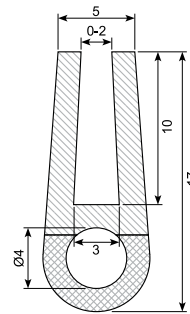
Material: EPDM
Min. order: 3.000 m

31.037 *



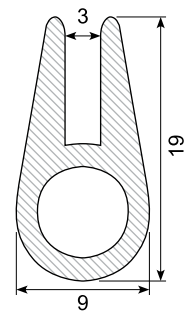
Material: EPDM
Hardness: SH 56 - 60A
Min. order: 2.000 m

30.9885

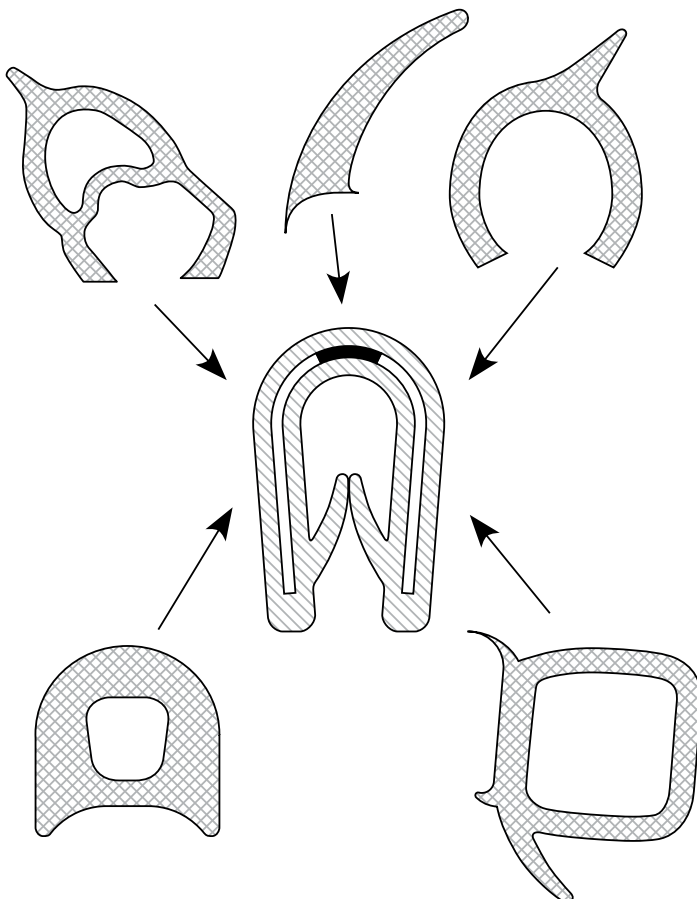


Material: EPDM
Hardness: SH 60

31.038SI



Material: Silicone black
Hardness: SH 60



Edge trims

Configure your own edge trim or choose from the 2.000 different we have in stock.

