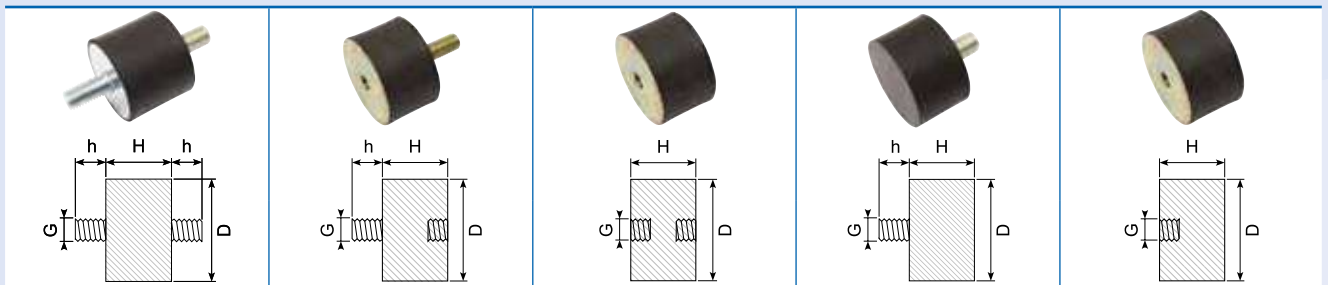


Vibrationsdämpfer



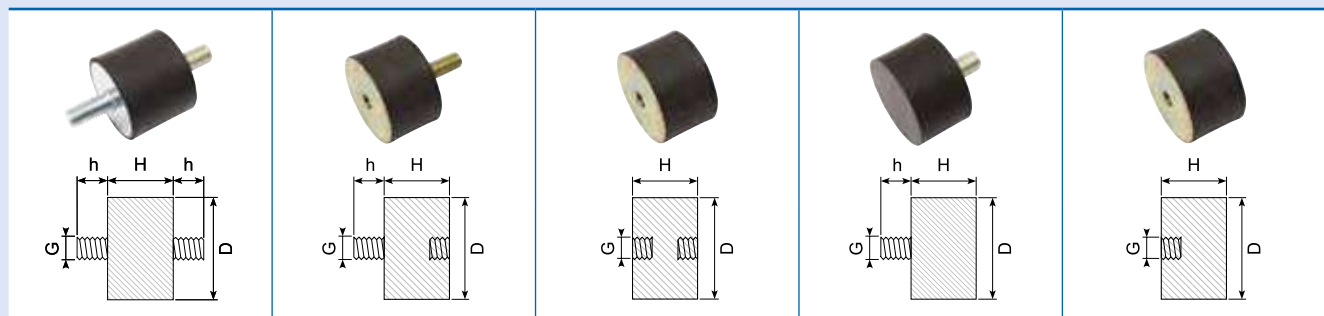
D	H	Type M (1)	Type B (2)	Type C (3)	Type D (4)	Type E (5)
6	7					
8	5					
8	8					
8	10					
9	12					
10	8					
10	10				39.D10/10	
10	15					
10	17					
10	18					
10	30					
11	11					
12	10					
13	26					
15	4					
15	5					
15	6					
15	7					
15	8					
15	9					
15	10				39.D15/10 (M5x15) 39.D15/10-M6 (M6x18)	
15	12					
15	13					
15	15		39.B15/15 **		39.D15/15 (M5x15) 39.D15/15-M6 (M6x15)	
15	20					
15	25					
15	30					
16	18		39.B16/18			
18	10	39.M1810				
20	5					
20	8					
20	10	39.M20/10-M6 (M6x18) 39.M20/10 (M8x18)	39.B20/10-M6 (M6x18) 39.B20/10 (M8x18)	39.C20/10 (M4)		39.E20/10-M6 (M6) 39.E20/10 (M8)
20	11					
20	12					
20	13					
20	15	39.M2015	39.B20/15 (M8x18)		39.D20/15E	
20	17					
20	20	39.M2020 39.M2020-M8 39.M2020-M6 (M6x15) **	39.B2020	39.C20/20	39.D20/20 (M5x15) 39.D20/20-M6 (M6x18)	
20	23				39.D2020-M6 (M6x15) **	
20	25					
20	30					
25	8					
25	10			39.C25/10 (M4)		39.E25/10-M6 (M6) 39.E25/10 (M8)
25	12					
25	13		39.B2513			
25	14					

G	h
M6	6, 8, 10, 12, 15, 18, 20, 23, 28
M8	8, 10, 12, 15, 18, 20, 23, 25, 28, 33

G	h
M10	10, 12, 15, 18, 20, 23, 25, 28, 33, 38, 43
M12	10, 12, 18, 20, 23, 25, 27, 33, 37, 42

Fåes i tre hårdheder: Shore 43, 55 og 68.
Også mulighed for rustfri gevind.
Available in three hardnesses: SH 43, 55 and 68.
Also option for stainless threads.

Vibrationsdämpfer



D	H	Type M (1)	Type B (2)	Type C (3)	Type D (4)	Type E (5)
25	15	39.M2515				
25	17					
25	18					
25	19					
25	20	39.M2520 39.M2520-M6				
25	22	39.M25/22 **				
25	25		39.B25/25 (M8x18) 39.B25/25-M6 (M6x18)	39.C25/25-M6		
25	27					
25	28					
25	30					
26	22					
30	8					
30	10	39.M30/10 (M8x23)			39.D30/10 39.D30/10-M6 (M6x18)	
30	12					
30	13					
30	15	39.M3015-M8x12 39.M3015-M8x15			39.D30/15 39.D30/15-M6 (M6x18)	39.E30/15-M6 (M6) 39.E30/15 (M8)
30	17					
30	18					
30	20	39.M3020 39.M3020-55	39.B30/20 39.B30/20X	39.C30/20 (M8)	39.D30/20 39.D30/20-M6	39.E30/20-M6 (M6) 39.E30/20 (M8)
30	22					
30	25					
30	30	39.M3030 39.M3030-SS	39.B30/30 39.B30/30-M6	39.C30/30 39.C30/30-A4 **	39.D30/30 39.D30/30-M6 (M6x18)	39.E30/30-M6 (M6) 39.E30/30 (M8)
30	35					39.E30/35
30	40			39.C30/40 **		
30	45					
40	10					
40	15				39.D40/15 39.D40/15-M6 (M6x18)	39.E40/15-SH43
40	20	39.M40/20 (M8x23)	39.B40/20 (M8x23)		39.D40/20 (M8x18) 39.D40/20-M6 (M6x18) 39.D40/20-M10 (M10x20) 39.D40/20-A2	39.E40/20-M6 (M6) 39.E40/20 (M8)
40	25	39.4025		39.C40/25 (M8)	39.D40/25-A2	
40	27					
40	28					
40	30	39.M4030	39.B40/30 (M8x23)	39.C40/30	39.D40/30-A2 39.D40/30 39.D40/30-M8 (M8x18)	39.E40/30 (M8)
40	35		39.B40/35 (M8x23)		39.D40/35-A2 39.D40/35 (M10x20)	
40	38	39.M4038		39.C40/40 (M8)		
40	40	39.M40/40 (M10x28)		39.C40/40-M10 (M10)	39.D40/40-A2 39.D40/40 (M10x20)	
40	45				39.D40/45-A2	
40	60					

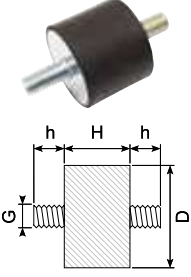
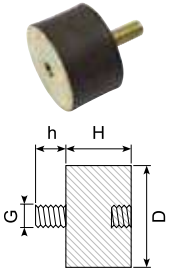
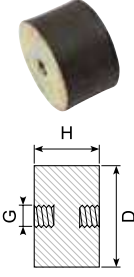
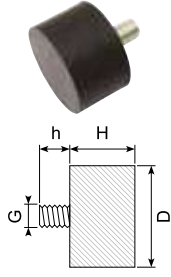
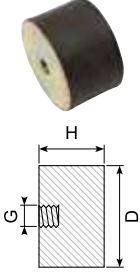
G	h
M6	6, 8, 10, 12, 15, 18, 20, 23, 28
M8	8, 10, 12, 15, 18, 20, 23, 25, 28, 33

G	h
M10	10, 12, 15, 18, 20, 23, 25, 28, 33, 38, 43
M12	10, 12, 18, 20, 23, 25, 27, 33, 37, 42

Fåes i tre hårdheder: Shore 43, 55 og 68.
Også mulighed for rustfri gevind.
Available in three hardnesses: SH 43, 55 and 68.
Also option for stainless threads.

** Opdateret siden tryk / Updated since print
BIBUS PROFILES 5 - 00129-5-k201902

Vibrationsdämpfer

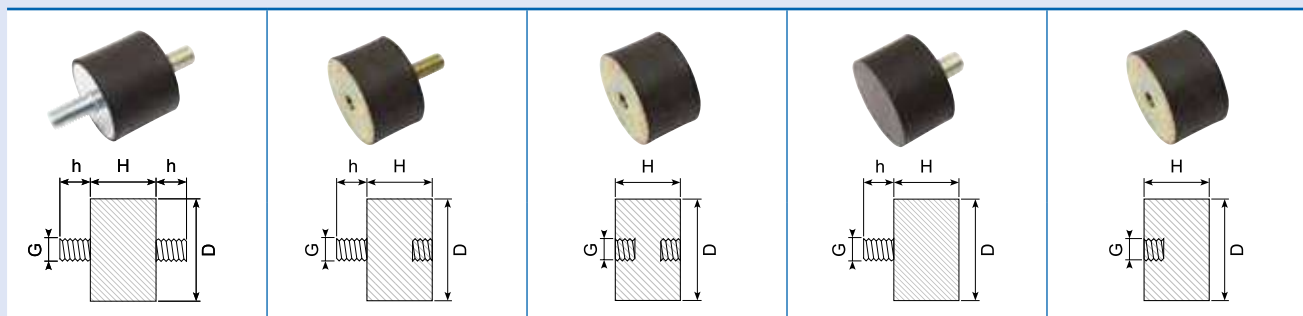
						
D	H	Type M (1)	Type B (2)	Type C (3)	Type D (4)	Type E (5)
50	7					
50	9					
50	12					
50	15					
50	17					
50	20		39.B50/20-M8 **	39.C50/20 (M10)	39.D50/20 39.D50/20-M12 (M12x23)	39.E50/20 (M8) 39.E50/20-M10 (M10) 39.E50/20-M12 (M12)
50	21		39.B50/21			
50	25	39.M5025		39.C50/25 (M10)	39.D50/25 (M10x20) 39.D50/25-M12 (M12x23)	39.E50/25 (M10) 39.E50/25-M12 (M12)
50	27					
50	28					
50	30	39.M5030	39.B50/30	39.C50/30 39.C50/30-M8 39.C50/30-68 39.C50/35	39.D50/30 39.D50/30-M10 (M10x20)	
50	35					
50	37					
50	40	39.M5040		39.C50/40-M12 39.C50/40		39.E50/40 (M10) 39.E50/40-M12 (M12)
50	42					
50	45	39.M5045		39.C50/45		
50	50	39.M5050	39.B50/50			
50	80		39.B50/50-M10 (M10x28)			
60	15					
60	16					
60	20					
60	25					
60	30		39.B60/30 (M12x25)	39.C60/30-M8 (M8) 39.C60/30 (M10)	39.D60/30 (M10x28) 39.D60/30-M12 (M12x23)	39.E60/30 (M10)
60	35	39.M6035				39.E60/30-M12 (M12)
60	40		39.B60/40	39.C60/40 39.C60/40-M10 SH 43 39.C60/40-M12 SH 43	39.D60/40 (M10x28) 39.D60/40.M12 (M12x23)	39.E60/40 (M10) 39.E60/40-M12 (M12)
60	45		39.B60/45-A2 **			
60	50	39.M6050			39.D6050	
60	60					
65	35			39.C65/35 39.C65/35.M10 (M10)	39.D65/35	
70	20					
70	25					
70	30					
70	35					39.E70/35 (M12)
70	40				39.D70/40 (M10x28) 39.D70/40-M12 (M12x27)	
70	45					
70	50					39.E70/50 (M12)
70	53					
70	55					
70	60					
70	70				39.D70/70	

G	h
M6	6, 8, 10, 12, 15, 18, 20, 23, 28
M8	8, 10, 12, 15, 18, 20, 23, 25, 28, 33

G	h
M10	10, 12, 15, 18, 20, 23, 25, 28, 33, 38, 43
M12	10, 12, 18, 20, 23, 25, 27, 33, 37, 42

Fåes i tre hårdheder: Shore 43, 55 og 68.
Også mulighed for rustfri gevind.
Available in three hardnesses: SH 43, 55 and 68.
Also option for stainless threads.

Vibrationsdämpfer



D	H	Type M (1)	Type B (2)	Type C (3)	Type D (4)	Type E (5)
75	20					
75	25					
75	30		39.B75/30 (M12x25)	39.C75/30 (M12) 39.C75/30-M10 (M10)	39.D75/30	39.E75/30 (M10) 39.E75/30-M12 (M12)
75	35					
75	40	39.M7540	39.B75/40 (M12x25)			
75	45			39.C70/45-M10		
75	50	39.M7550	39.B75/50 (M12x25)		39.D75/50-M10 (M10x28)	39.E75/50 (M10) 39.E75/50-M12 (M12)
75	55			39.C75/55 39.C75/55-43 39.C75/55-M10 (M10)		
75	60	39.M7560				
75	70					
75	100			39.C75/100 39.C75/100-M16		
80	17					
80	18					
80	30					
80	40					
80	50	39.M8050				39.E80/50 (M12) 39.E80/50-M16 (M16)
80	55					
80	60					
80	65					
80	70					
80	75					
80	80					
90	60					
100	25					39.E100/25 (M16)
100	30		39.B100/30 (M16x46)		39.D100/30 (M16x41)	39.E100/30 (M16)
100	35					
100	40		39.B100/40 (M16x46)	39.C100/40		39.E100/40 (M16)
100	45					
100	50		39.B100/50 (M16x46)	39.C100/50 (M16)	39.D100/50 (M16x41)	39.E100/50 (M16)
100	55					
100	60					
100	65					
100	70					
100	75		39.B100/75 SH 43	39.C100/75 (M16)	39.D100/75 (M16x41)	39.E100/75 (M16)
100	80					
100	100					
150	40			39.C150/40		
150	50			39.C150/50	39.D150/50 (M16x41)	39.E150/50 (M16) 39.E150/50-M20 (M20)
150	55					
150	60					
150	75			39.C150/75 (M16) 39.C150/75-M20 **		39.E150/75 (M16) 39.E150/75-M20 (M20)
200	100			39.C200/100 (M20)	39.D200/100 (M20x41)	39.E200/100 (M20)

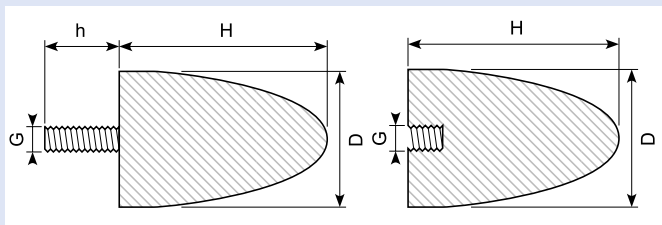
G	h
M6	6, 8, 10, 12, 15, 18, 20, 23, 28
M8	8, 10, 12, 15, 18, 20, 23, 25, 28, 33

G	h
M10	10, 12, 15, 18, 20, 23, 25, 28, 33, 38, 43
M12	10, 12, 18, 20, 23, 25, 27, 33, 37, 42

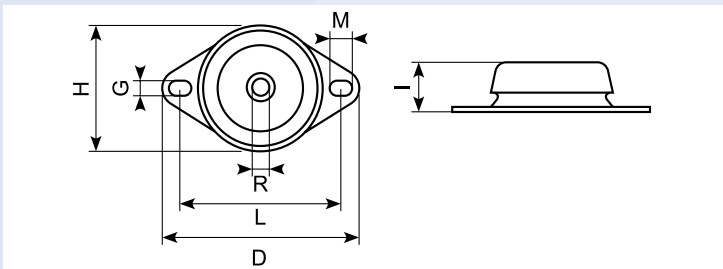
Fåes i tre hårdheder: Shore 43, 55 og 68.
Også mulighed for rustfri gevind.
Available in three hardnesses: SH 43, 55 and 68.
Also option for stainless threads.

** Opdateret siden tryk / Updated since print
BIBUS PROFILES 5 - 00129-5-k201902

Vibrationsdämpfer

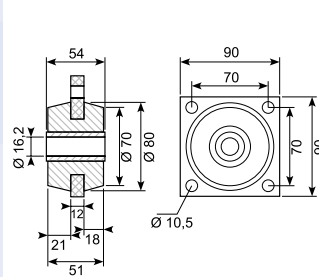


KP-D-no. **	KP-E-no.	D/H	D	H	G	h
39.KP-D10/10	39.KP-E10/10	10/10	10	10	M5	12
39.KP-D15/22	39.KP-E15/22	15/22	15	22	M6	18
39.KP-D20/15	39.KP-E20/15	20/15	20	15	M6	10
39.AV2024	39.KP-E20/24	20/24	20	24	M6	18
39.KP-D25/16	39.KP-E25/16	25/16	25	16	M6	18
39.KD25/17		25/17	25	17	M6	8
39.KP-D25/20	39.KP-E25/20	25/20	25	20	M6	18
39.KP-D30/30	39.KP-E30/30	30/30	30	30	M8	20
39.KP-D30/36	39.KP-E30/36	30/36	30	36	M8	20
39.AV30		30/40	30	40	M8	23
	39.KP-E35/40	35/40	35	40	M8	23
39.KD50/18		50/18	50	18	M10	18
39.KP-D50/50	39.KP-E50/50	50/50	50	50	M10	28
39.KP-D50/58		50/58	50	58	M10	28
39.KP-D50/61	39.KP-E50/61	50/61	50	61	M8	28
39.KP-D50/67	39.KP-E50/67	50/67	50	67	M8	33
39.AV5068	39.KP-E50/68	50/68	50	68	M10	38
39.KP-D60/40	39.KP-E60/40	60/40	60	40	M10	28
39.KP-D70/58	39.KP-E70/58	70/58	70	58	M12	32
39.KP-D70/60	39.KP-E70/60	70/60	70	60	M12	37
39.KP-D75/89	39.KP-E75/89	75/89	75	89	M12	37
39.KP-D75/89-10	39.KP-E75/89	75/89	75	89	M10	37
39.AV9580	39.KP-E95/80	95/80	95	80	M16	41
39.KP-D115/136	39.KP-E115/136	115/136	115	136	M16	41
39.KP-D118/77	39.KP-E118/77	118/77	118	77	M16	41



Varenr. **	I	H	G	M	R	L	D	Load KG
39.GMF67/34	34	67	11		Ø12	88	110	60
39.GMF75/34	34	75	12	16	Ø12	100	130	100
39.GMF100/42	42	100	12	16	M12/M14/M16	120	153	200-300
39.GMF108/46	46	108	14	18	M12/M14/M16	142	177	400-500
39.GMF122/50	50	122	14	20	M16	158	192	600-800
39.GMF150/54	54	150	14	18	M18/M20	183	218	1000-1200

39.103195



Material: NBR
Hardness: SH 55

Skaffevarer / Special order item

