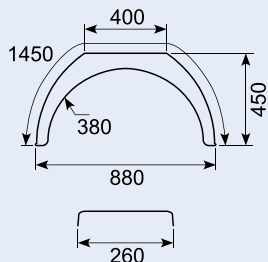


52.DK3110

Plastiskskærm, flad top med hvid kant.

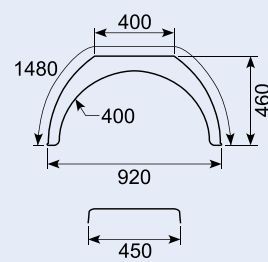
Plastic, flat-topped mudguard with white border.



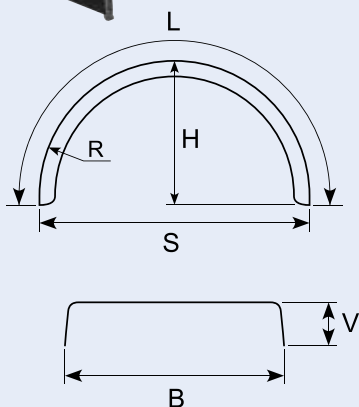
52.DK3115

Plastiskskærm, flad top med hvid kant.

Plastic, flat-topped mudguard with white border.

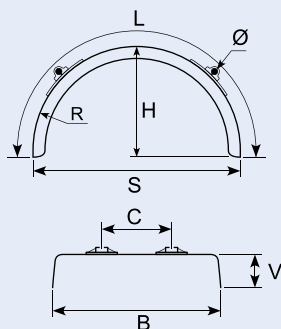


Helskærm / Full mudguard



Vare nr. Part no.	B mm	L mm	R mm	S mm	H mm	V mm
52.DK1510	270	1300	420	840	410	60
52.DK1515	410	1350	430	840	430	60
52.DK1520	450	1350	430	860	430	60
52.DK1525	450	1570	490	980	510	60
52.DK1530	500	1620	500	1000	520	60
52.DK1545	550	1780	560	1120	570	60
52.DK1560	600	1840	580	1160	590	60
52.DK1575	430	1900	650	1300	580	75
52.DK1580	430	2125	650	1300	690	75
52.DK1585	670	2125	670	1340	680	75
52.DK1685	670	2125		1340		

Helskærm / Full mudguard

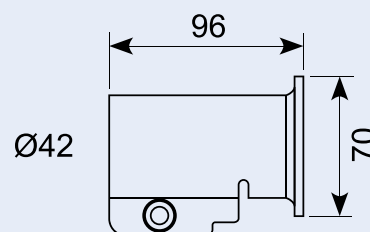


Vare nr. Part no.	B mm	L mm	R mm	S mm	H mm	V mm	C mm	Ø mm
52.DK2675	430	1900	650	1300	580	75	210	42
52.DK2680	430	2125	650	1300	690	75	210	42
52.DK2685	670	2125	670	1340	680	75	450	42

52.DK8220

Galvaniseret holder for skærmstivere .

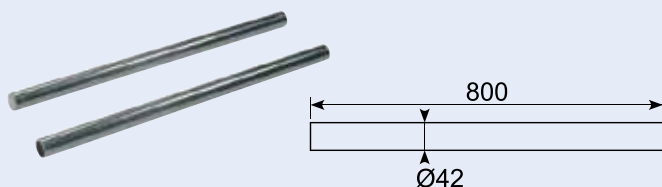
Support for stay, zinc-plated.



52.DK8012

Skærmholdere, sort pulverlakeret. Gods 2.5 mm.

Stay, straight, black powder-coated. Wall 2.5 mm.

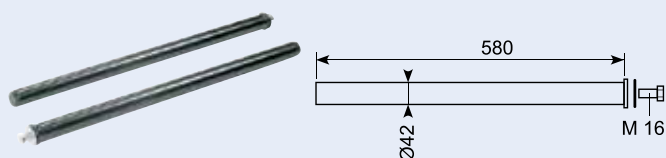


52.DK8020

Skærmholdere, montering direkte på chassis, pulverlakeret sort.

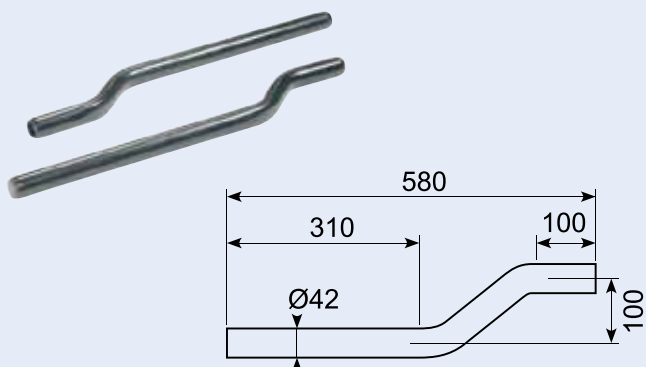
Gods 2.5 mm.

Stay, curved, attached to chassis, black powder-coated. Wall 2.5 mm.



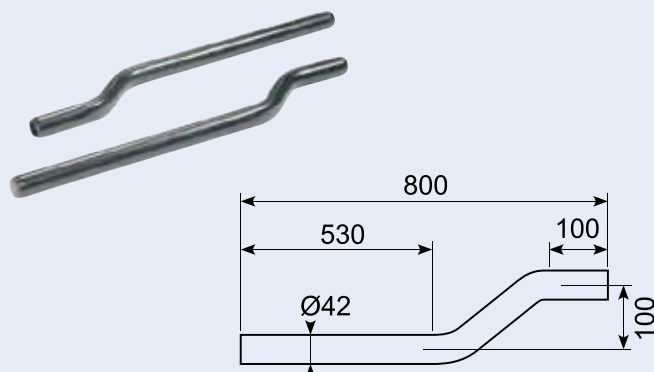
52.DK8014

Skærmholdere, kurvede, pulverlakeret sort. Gods 2.5 mm.
Stay, curved, black powder-coated. Wall 2.5 mm.



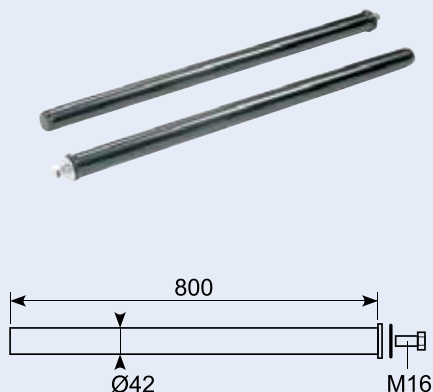
52.DK8016

Skærmholdere, kurvede, pulverlakeret sort. Gods 2.5 mm.
Stay, curved, black powder-coated. Wall 2.5 mm.



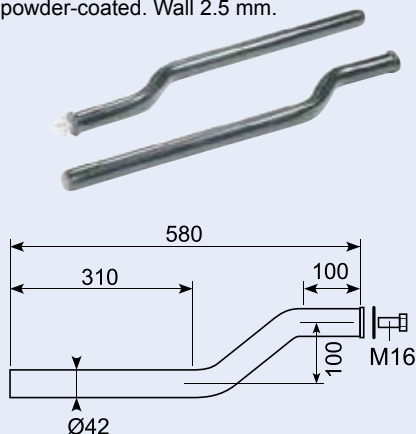
52.DK8022

Skærmholdere, montering direkte på chassis, pulverlakeret sort. Gods 2.5 mm.
Stay, straight, attached to chassis, black powder-coated. Wall 2.5 mm.



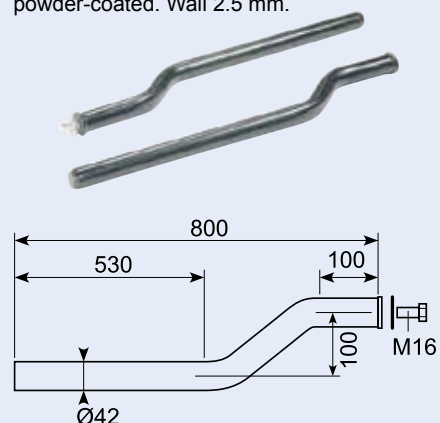
52.DK8024

Skærmholdere, kurvede, montering direkte på chassis, pulverlakeret sort. Gods 2.5 mm.
Stay, curved, attached to chassis, black powder-coated. Wall 2.5 mm.



52.DK8026

Skærmholdere, kurvede, montering direkte på chassis, pulverlakeret sort. Gods 2.5 mm. **Bemærk M16 bolt.**
Stay, curved, attached to chassis, black powder-coated. Wall 2.5 mm.



51.2971

Boltsæt til C-profil. 1 stk. møtrik, 1 stk. profilskive, 1 stk. bolt, 1 stk. skærmskive.
Set of bolts for C-profile consisting of:

Nut, profile washer, bolt and cover.



51.2980

Underlagsplade, Uni-Form. 1,5 mm galvaniseret stålplade.
Baseplate, Uni-Form, for plastic and rubber stays. 1.5 mm zinc-plated steel sheet.

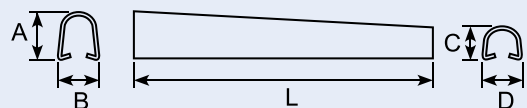
Baseplate, Uni-Form, for plastic and rubber stays. 1.5 mm zinc-plated steel sheet.



Skærmholdere C-profil / Stay C-profile

Skærmholdere C-profil.

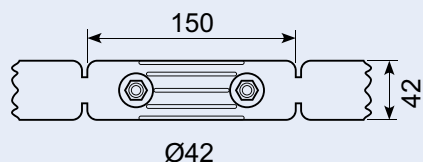
Stay C-profile, untreated.



Vare nr. Part no.	A mm	B mm	C mm	D mm	L mm	Kvalitet Quality
51.2966	58	50	40	48	600	Olieret
51.2966G	58	50	40	48	600	Galvaniseret
51.2968	58	50	40	48	700	Olieret
51.2968G	58	50	40	48	700	Galvaniseret

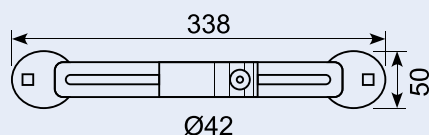
52.DK8110

Fast befæstigelse til skærm.
Plastic fixed support for mudguard.



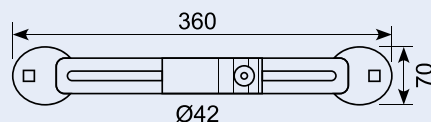
52.DK8115

Justérbar befæstigelse for skærme, sort metal.
Adjustable support for mudguard, black metal.



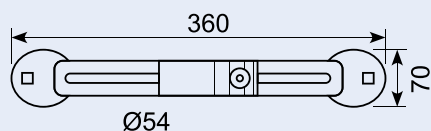
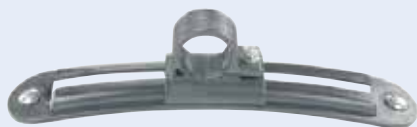
52.DK8125

Justérbar befæstigelse for skærme, plast.
Adjustable support for mudguard, plastic.



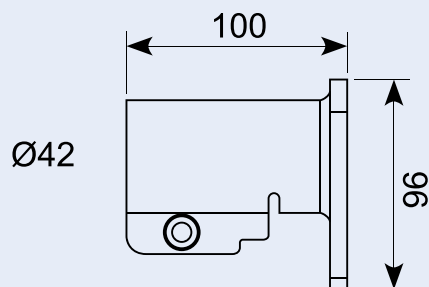
52.DK8130

Justérbar befæstigelse for skærme, plast.
Adjustable support for mudguard, plastic.



52.DK8210

Plastikholder for skærmstivere.
Support for stay, plastic.



52.DK8215

Galvaniseret holder for skærmstivere.
Support for stay, zinc-plated.

